

Side Entry Connector Hood; Enclosure Material:Aluminum Alloy; For Use With:C146 Rectangular Circular Connectors; Connecting Termination:Screw; Gender:Male; No. of Contacts:48; Operating Voltage:400V; Series:C-146 RoHS Compliant: Yes

Manufacturers	Analog Devices, Inc
Package/Case	SOIC-24
Product Type	Data Conversion ICs
RoHS	
Lifecycle	



Images are for reference only

Please submit RFQ for AD7890AR-10 or [Email to us: sales@ovaga.com](mailto:sales@ovaga.com) We will contact you in 12 hours.

[RFQ](#)

General Description

AD7890AR-10 is a high-speed, low-power, 12-bit analog-to-digital converter (ADC) produced by Analog Devices Inc. It is designed for use in applications that require high accuracy and low power consumption.

Features

- 12-bit resolution
- Sampling rate of up to 10 MSPS (mega samples per second)
- Single-ended input range of 0V to 5V
- Low power consumption of 50mW
- Flexible digital output interface

Application

- Data acquisition systems
- Signal processing
- Instrumentation and control systems
- Industrial automation
- Medical imaging equipment

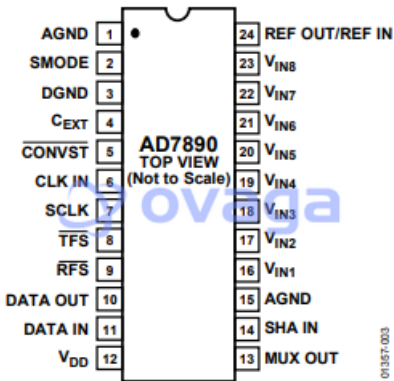
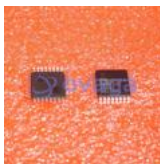


Figure 3. Pin Configuration

Related Products



[ADAS3022BCPZ](#)
Analog Devices, Inc
LFCSP-40



[AD7266BSUZ](#)
Analog Devices, Inc
TQPF-32



[AD574AJNZ](#)

Analog Devices, Inc
PDIP-28



[AD7938BSUZ](#)

Analog Devices, Inc
TQFP-32



[AD7124-8BCPZ-RL7](#)

Analog Devices, Inc
LFCSP-32



[AD7401YRWZ](#)

Analog Devices, Inc
SOIC-16



[AD7192BRUZ-REEL](#)

Analog Devices, Inc
TSSOP-24



[AD9680BCPZ-500](#)

Analog Devices, Inc
LFCSP-64