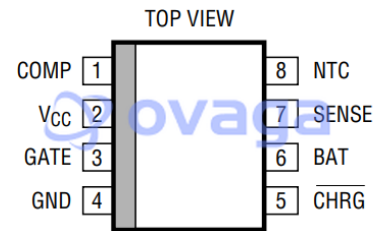


Switching Battery Charger Li-Ion 4.2V 8-Pin SOIC N Tube

Manufacturers	<a href="#">Analog Devices, Inc</a>
Package/Case	SOP8
Product Type	Power Management ICs
RoHS	Pb-free Halide free
Lifecycle	



Images are for reference only

Please submit RFQ for LTC4002ES8-4.2#PBF or [Email to us: sales@ovaga.com](mailto:sales@ovaga.com) We will contact you in 12 hours.

[RFQ](#)

## General Description

The LTC4002 is a complete battery charger controller for one (4.2V) or two (8.4V) cell lithium-ion batteries. With a 500kHz switching frequency, the LTC4002 provides a small, simple and efficient solution to fast charge Li-Ion batteries from a wide range of supply voltages. An external sense resistor sets the charge current with  $\pm 5\%$  accuracy. An internal resistor divider and precision reference set the final float voltage to 4.2V per cell with  $\pm 1\%$  accuracy.

When the input supply is removed, the LTC4002 automatically enters a low current sleep mode, dropping the battery drain current to 10 $\mu$ A. An internal comparator detects the near end-of-charge condition while an internal timer sets the total charge time and terminates the charge cycle. After the charge cycle ends, if the battery voltage drops below 4.05V per cell, a new charge cycle will automatically begin.

The LTC4002 is available in the 8-lead SO and 10-lead DFN packages.

## Applications

## Features

Wide Input Supply Range:

4.7V to 22V – 4.2 Version

8.9V to 22V – 8.4 Version

High Efficiency Current Mode PWM Controller with

500kHz Switching Frequency

End-of-Charge Current Detection Output

3 Hour Charge Termination Timer

Constant Switching Frequency for Minimum Noise

Low 10 $\mu$ A Reverse Battery Drain Current

Automatic Battery Recharge

Automatic Shutdown When Input Supply is Removed

Automatic Trickle Charging of Low Voltage Batteries

Battery Temperature Sensing and Charge

Qualification

Stable with Ceramic Output Capacitor

8-Lead SO and 10-Lead DFN Packages

4.7V to 22V – 4.2 Version

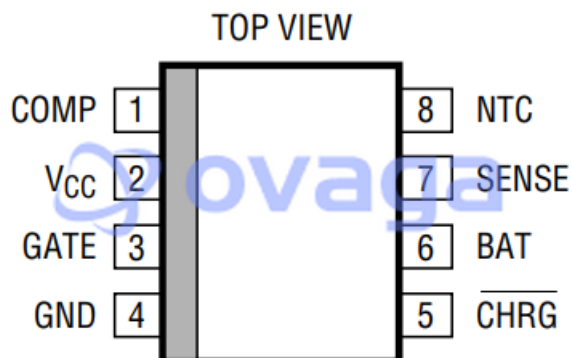
8.9V to 22V – 8.4 Version

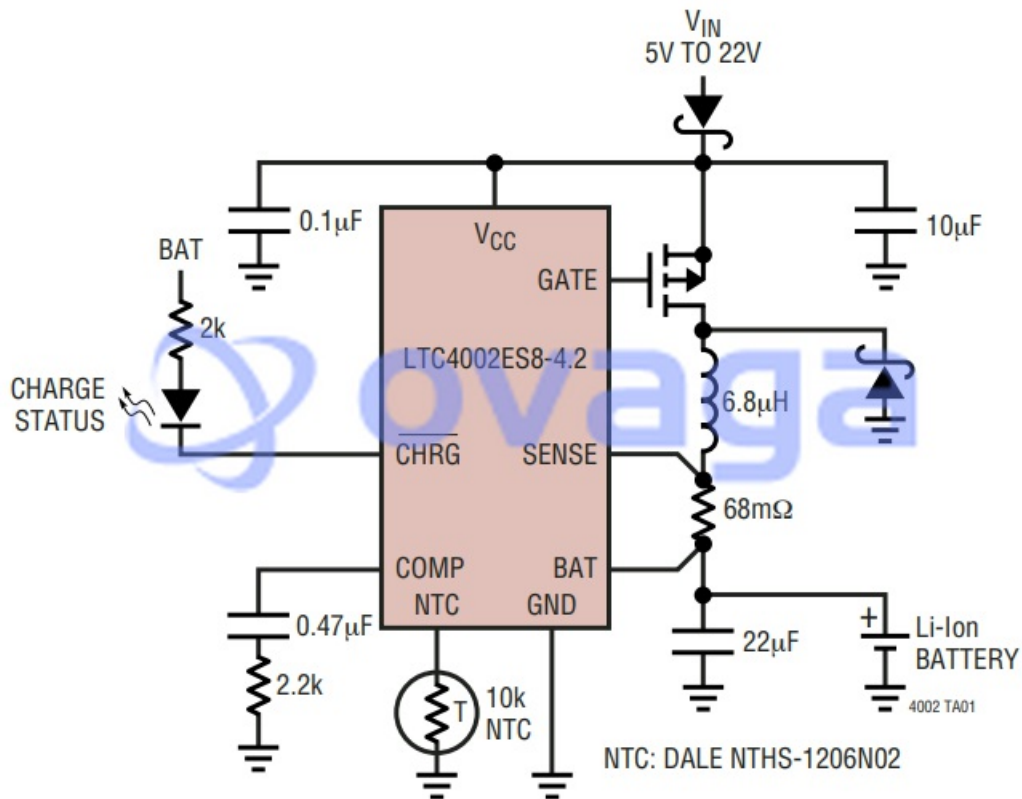
## Application

Portable Computers

Charging Docks

Handheld Instruments





## Related Products



### [LT3763EFE](#)

Analog Devices, Inc  
TSSOP28



### [LTC4417IUF](#)

Analog Devices, Inc  
QFN-24



### [LTC1966CMS8#PBF](#)

Analog Devices, Inc  
MSOP-8P



### [LTM8045EX#PBF](#)

Analog Devices, Inc  
BGA40



### [LT1038CK](#)

Analog Devices, Inc  
TO-3



### [LTC3440EMS](#)

Analog Devices, Inc  
MSOP10



### [LTC2990IMS#PBF](#)

Analog Devices, Inc  
10MSOP



### [LT4295IUFD#PBF](#)

Analog Devices, Inc  
28-WFQFN