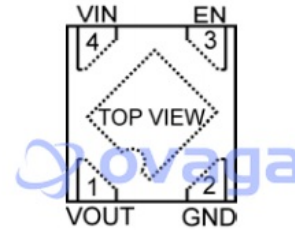


IC REG LDO 2.8V 0.15A 4TMLF

Manufacturers	Microchip Technology, Inc
Package/Case	UDFN-4
Product Type	Power Management ICs
RoHS	
Lifecycle	



**4-Pin 1mm × 1mm Thin MLF (MT)
Fixed Version**

Images are for reference only

Please submit RFQ for MIC5366-2.8YMT-TZ or [Email to us: sales@ovaga.com](mailto:sales@ovaga.com) We will contact you in 12 hours.

[RFQ](#)

General Description

The MIC5365/6 is an advanced general purpose linear regulator offering high power supply rejection (PSRR) in an ultra-small 1mm x 1mm package. The MIC5366 includes an auto-discharge feature that is activated when the enable pin is low. The MIC5365/6 is capable of sourcing 150mA output current and offers high PSRR, making it a great solution for any portable electronic application.

Ideal for battery-powered applications, the MIC5365/6 offers 2% initial accuracy, low dropout voltage (180mV at 150mA), and low ground current (typically 32µA). The MIC5365/6 can also be put into a zero off-mode current state, drawing virtually no current when disabled.

The MIC5365/6 is available in several advanced packages, occupying only 1mm² of PCB area, a 75% reduction in board area compared to SC-70. It is also available in an SC-70-5 package.

The MIC5365/6 has an operating junction temperature range of - 40°C to 125°C.

Features

Input voltage range: 2.5V to 5.5V

150mA guaranteed output current

Stable with ceramic output capacitors

Low dropout voltage: 180mV at 150mA

Excellent Load/Line Transient Response

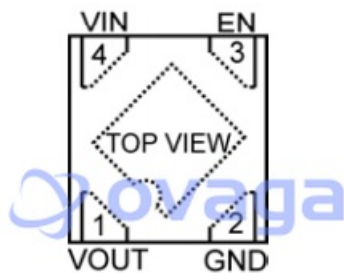
Low quiescent current: 32 μ A

High PSRR: 70dB

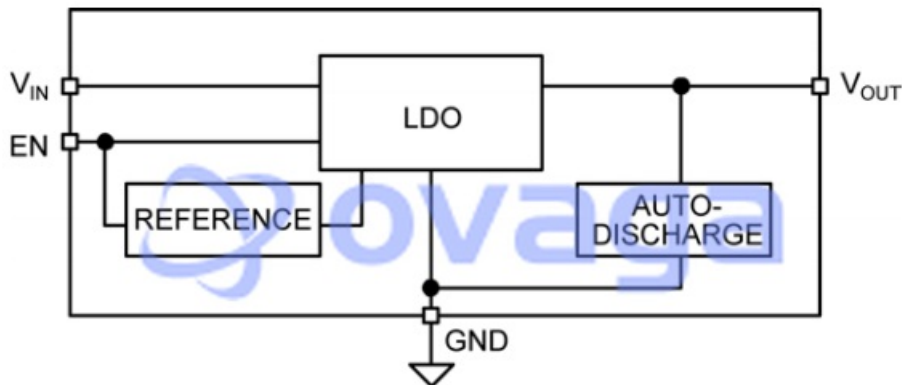
Output discharge circuit (MIC5366)

High output accuracy:

Thermal shutdown and current limit protection



4-Pin 1mm × 1mm Thin MLF (MT) Fixed Version



MIC5366 Block Diagram

Related Products



[MIC94325YMT-TR](#)

Microchip Technology, Inc
UDFN-6



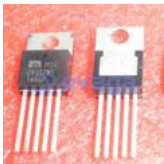
[MIC2009A-1YM6-TR](#)

Microchip Technology, Inc
SOT-23-6



[MIC5841YWM-TR](#)

Microchip Technology, Inc
SOIC-18



[MIC29152WT](#)

Microchip Technology, Inc
TO-220-5



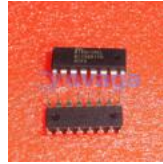
[MIC4684YM](#)

Microchip Technology, Inc
SOIC-8



[MIC2090-1YM5-TR](#)

Microchip Technology, Inc
SOT-23-5



[MIC5891YN](#)

Microchip Technology, Inc
PDIP-16



[MIC5209YM](#)

Microchip Technology, Inc
SOIC-8