

Small, Low Power, 3-Axis  $\pm 5$  g Accelerometer; Package: 16-LFCSP (4x4mm, stacked Die w/Glass seal 1.75mm); Temperature Range:  $-40^{\circ}\text{C}$  to  $+125^{\circ}\text{C}$

Manufacturers	<a href="#">Analog Devices, Inc</a>
Package/Case	16-LFCSP
Product Type	Motion & Position Sensors
RoHS	Rohs
Lifecycle	



Images are for reference only

Please submit RFQ for ADXL325BCPZ-RL7 or [Email to us: sales@ovaga.com](mailto:sales@ovaga.com) We will contact you in 12 hours.

[RFQ](#)

## General Description

The user selects the bandwidth of the accelerometer using the CX, CY, and CZ capacitors at the XOUT, YOUT, and ZOUT pins. Bandwidths can be selected to suit the application with a range of 0.5 Hz to 1600 Hz for X and Y axes and a range of 0.5 Hz to 550 Hz for the Z axis.

The ADXL325 is available in a small, low profile, 4 mm  $\times$  4 mm  $\times$  1.45 mm, 16-lead, plastic lead frame chip scale package (LFCSP\_LQ).

## Features

3-axis sensing

Small, low profile package 4 mm  $\times$  4 mm  $\times$  1.45 mm LFCSP

Low power: 350  $\mu\text{A}$  typical

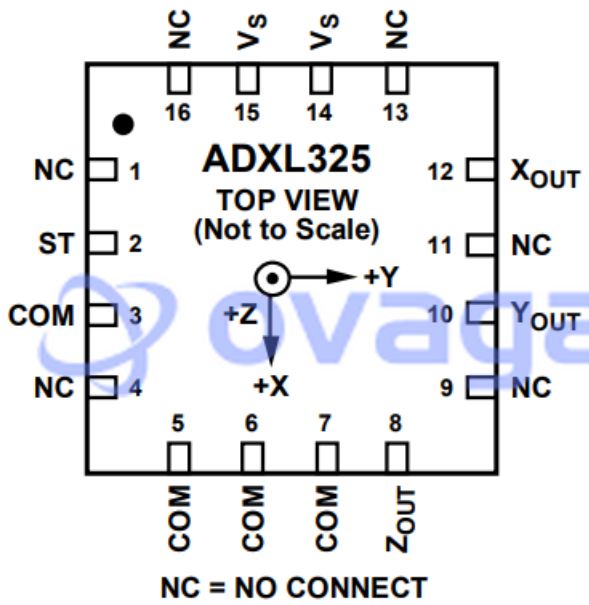
Single-supply operation: 1.8 V to 3.6 V

10,000 g shock survival

Excellent temperature stability

Bandwidth adjustment with a single capacitor per axis

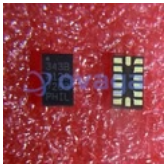
RoHS/WEEE lead-free compliant



07946-003

Figure 2. Pin Configuration

## Related Products



### [ADXL343BCCZ](#)

Analog Devices, Inc  
LGA-14



### [ADXL103CE](#)

Analog Devices, Inc  
CLCC-8



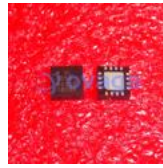
### [ADXRS642BBGZ](#)

Analog Devices, Inc  
CBGA-32



### [ADXL346ACCZ-RL7](#)

Analog Devices, Inc  
LGA16



### [ADXL335BCPZ-RL7](#)

Analog Devices, Inc  
LFCSP16



### [ADIS16488BMLZ](#)

Analog Devices, Inc  
MSM24



### [ADXL357BEZ](#)

Analog Devices, Inc  
LCC-14



### [ADXL345BCCZ-RL7](#)

Analog Devices, Inc  
LGA-14