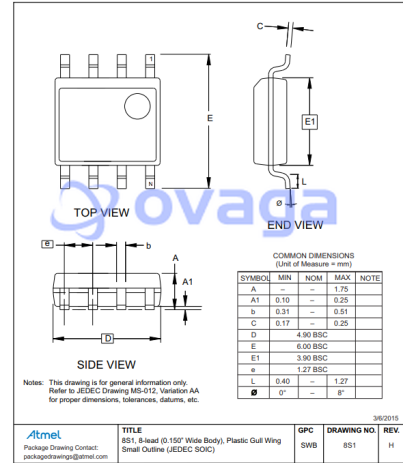


1-ch Tmp Snsr, I2C - 1.7-5.5V, 3.4MHz, Ind Tmp, 8-SOIC-N

Manufacturers	Microchip Technology, Inc
Package/Case	SOIC-8
Product Type	Integrated Circuits (ICs)
RoHS	
Lifecycle	

10. Packaging Information

10.1 8S1 — 8-lead JEDEC SOIC



Images are for reference only

Please submit RFQ for AT30TS74-SS8M-T or [Email to us: sales@ovaga.com](mailto:sales@ovaga.com) We will contact you in 12 hours.

[RFQ](#)

General Description

Microchip's AT30TS74 temperature sensor is capable of measuring and converting temperatures from -55°C to $+125^{\circ}\text{C}$ to a digital word and provides a typical accuracy of $\pm 1.0^{\circ}\text{C}$ over the operating temperature range of -20°C to $+100^{\circ}\text{C}$. The device is factory calibrated and requires no external components to help provide a cost effective solution. To reduce current consumption and save power, the AT30TS74 features a shutdown mode which turns off all internal circuitry except for the internal power-on reset and serial interface circuits. In addition, the device features a power saving one-shot mode that allows the device to make a temperature measurement and update the temperature register and then return to shutdown mode. The AT30TS74 is based on the industry standard "LM75-type" compatible temperature sensor and is a precision temperature monitoring device designed for use in a variety of applications. The device combines a highly accurate digital temperature sensor with programmable high and low temperature alarms, user-selectable resolution up to 12 bits, and an I2C/SMBus compatible serial interface available in compact packages.

Features

2-wire I²C™/SMBus Compatible Interface

Single 1.7V to 5.5V Supply

I²C High-Speed (HS) Mode Compatible-3.4MHz Maximum Clock Frequency

User Selectable 9- to 12-Bit Resolution

Low Operating Current: 130 μ A (typical)

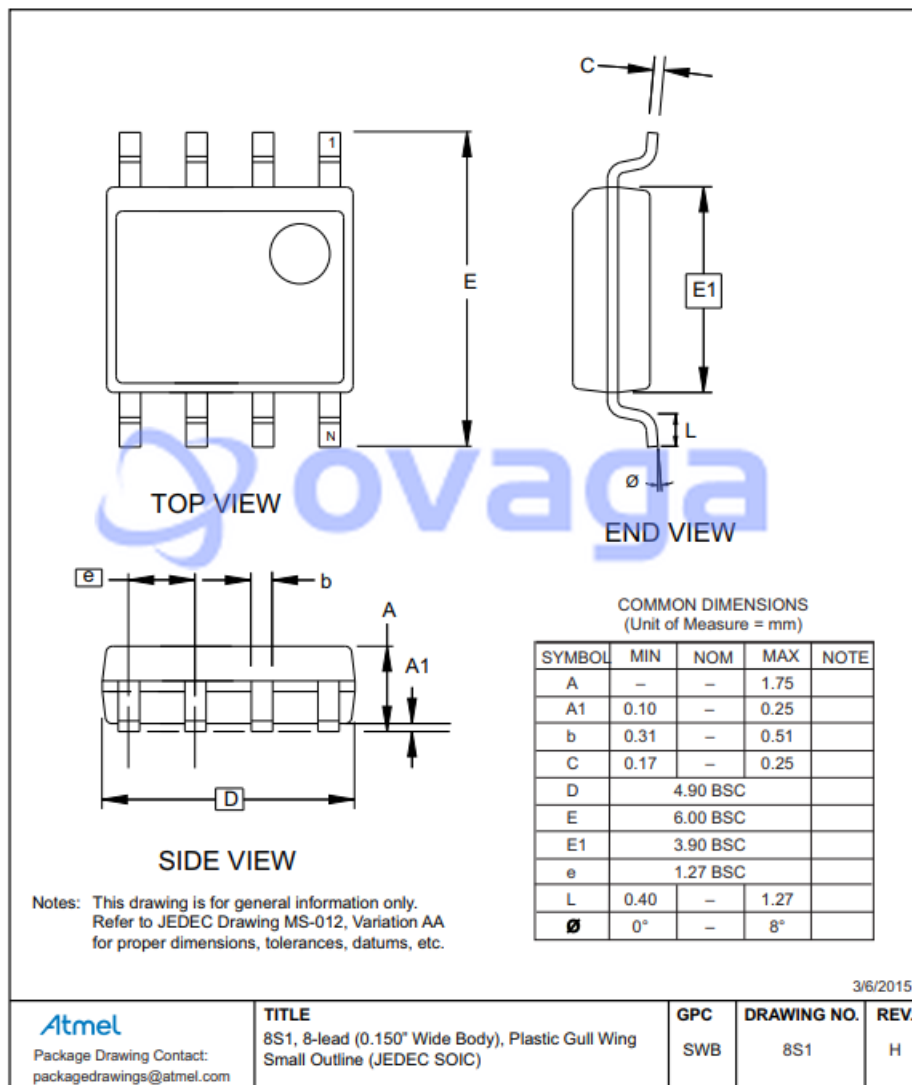
Shutdown Mode: 0.6 μ A (typical)

Power Saving One-Shot Temperature Conversion Measurement

Space Saving SOIC, DFN, MSOP and Wafer level CSP Packages available

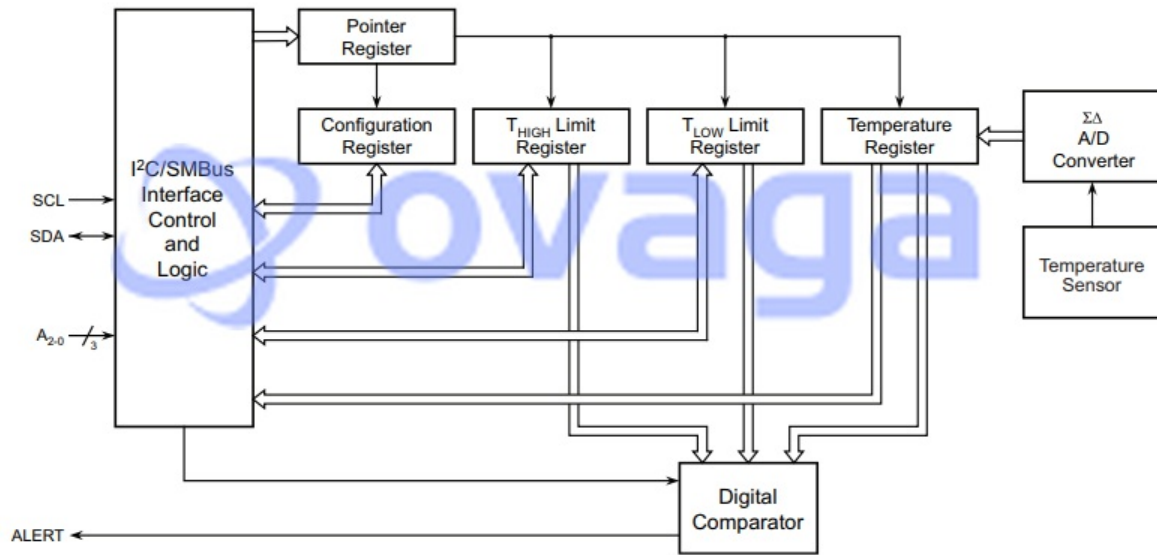
10. Packaging Information

10.1 8S1 — 8-lead JEDEC SOIC



2. Block Diagram

Figure 2-1. Block Diagram



Related Products



[ATA6563-GAQW0](#)

Microchip Technology, Inc
SOIC-8



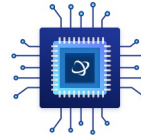
[AT42QT1040-MMHR](#)

Microchip Technology, Inc
VQFN-20



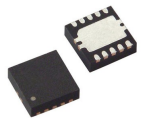
[AT30TSE004A-MAA5M-T](#)

Microchip Technology, Inc
WDFN-8



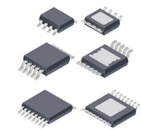
[ATMEGA808-MU](#)

Microchip Technology, Inc



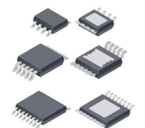
[ATSAMC21G17A-MZTVAO](#)

Microchip Technology, Inc
VQFN



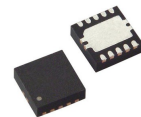
[ATTINY3226-SU](#)

Microchip Technology, Inc
SOIC



[ATTINY3224-SSU](#)

Microchip Technology, Inc
SOIC



[ATTINY1626-MU](#)

Microchip Technology, Inc
VQFN