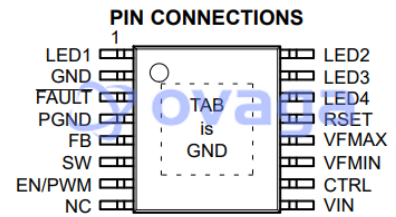


LED Driver, Boost, 4 Ch / 10 LED, LED Drivers LED DRVR BOOST 4CH/10LED

Manufacturers	ON Semiconductor, LLC
Package/Case	TSSOP-16
Product Type	Power Management ICs
RoHS	Rohs
Lifecycle	



Images are for reference only

Please submit RFQ for CAT4106YP-T2 or [Email to us: sales@ovaga.com](mailto:sales@ovaga.com) We will contact you in 12 hours.



General Description

Application

ONSEMI

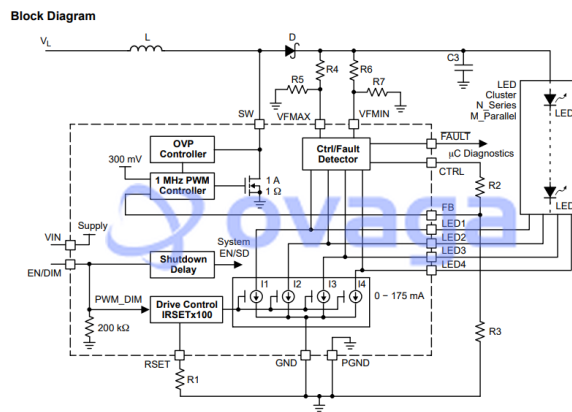
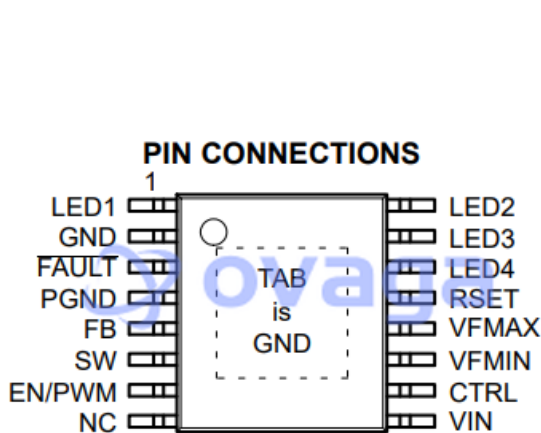


Figure 24. CAT4106 Simplified Functional Block Diagram

Related Products



[CAT823RTDI-GT3](#)
ON Semiconductor, LLC
TSOT-23-5



[CAT4109V-GT2](#)
ON Semiconductor, LLC
SOIC-16



[CAT4016W-T1](#)

ON Semiconductor, LLC
SOIC-24



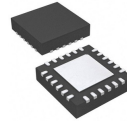
[CAT4137TD-GT3](#)

ON Semiconductor, LLC
TSOT23-5



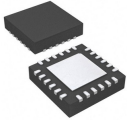
[CAT4016Y-T2](#)

ON Semiconductor, LLC
TSSOP-24



[CAT4106HV4-GT2](#)

ON Semiconductor, LLC
TQFN-16



[CAT3224HV3-GT2](#)

ON Semiconductor, LLC
TQFN-16



[NCP59744FCTCADJT2G](#)

ON Semiconductor, LLC
WLCSP10, 2.075x1.025x0.35