

XC9572 In-System Programmable CPLD

Manufacturers	AMD Xilinx, Inc
Package/Case	PLCC-84
Product Type	Programmable Logic ICs
RoHS	
Lifecycle	



Images are for reference only

Please submit RFQ for XC9572-7PC84C or [Email to us: sales@ovaga.com](mailto:sales@ovaga.com) We will contact you in 12 hours.

[RFQ](#)

General Description

XC9572-7PC84C is a programmable logic device (PLD) manufactured by Xilinx. It belongs to the XC9500 family of PLDs and has 72 macrocells, which can be configured as either combinatorial or sequential logic. The "7" in the part number indicates that it operates at a maximum frequency of 7 MHz, and the "PC84C" indicates the package type (84-pin plastic chip carrier).

Features

- 72 macrocells, each with up to 32 product terms
- Up to 44 input pins and 34 output pins
- In-system programmable (ISP) through a JTAG interface
- 5V-tolerant inputs
- User-programmable output slew rate control
- Advanced design software for synthesis, simulation, and implementation

Application

- XC9572XL-7PC44C
- XC9572-15PQ100C
- XC9572XL-10VQG44C
- XC9572-15TQ100C
- XC9572XL-10TQG100C

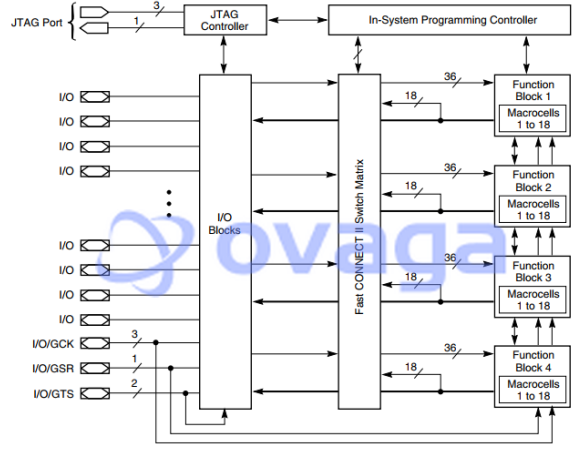


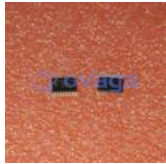
Figure 2: XC9572 Architecture
Function block outputs (indicated by the bold line) drive the I/O blocks directly.

Related Products



[XC18V01S020C](#)

AMD Xilinx, Inc
SOP-20



[XCF04SV0G20C](#)

AMD Xilinx, Inc
TSSOP20



[XC6SLX4-2CSG225C](#)

AMD Xilinx, Inc
BGA-225



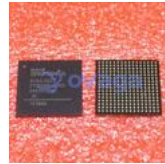
[XCV50-6BG256C](#)

AMD Xilinx, Inc
BGA256



[XCF08PV0G48C](#)

AMD Xilinx, Inc
TSOP-48



[XC6SLX25-3FTG256C](#)

AMD Xilinx, Inc
BGA-256



[XC6SLX16-3CSG324C](#)

AMD Xilinx, Inc
BGA-324



[XCF32PVO48C](#)

AMD Xilinx, Inc
TSOP48