

Ω CMOS Dual 2:1 MUX/SPDT Audio Switch

Manufacturers	Analog Devices, Inc
Package/Case	QFN-10
Product Type	Audio ICs
RoHS	
Lifecycle	

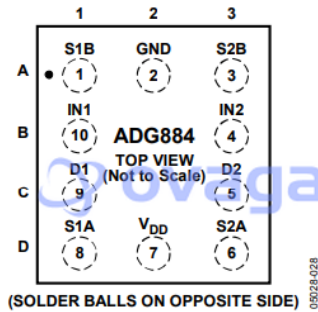


Figure 3. WLCSP Pin Configuration

Images are for reference only

Please submit RFQ for ADG884BCPZ or [Email to us: sales@ovaga.com](mailto:sales@ovaga.com) We will contact you in 12 hours.

[RFQ](#)

General Description

ADG884BCPZ is a specific integrated circuit (IC) produced by Analog Devices. It is a quad SPST (Single-Pole, Single-Throw) switch, which means it can connect or disconnect four different input signals from four different output channels.

Features

Low on-resistance (typically 1 Ohm) for minimal signal attenuation

Wide input voltage range (up to 16V)

Low power consumption

Fast switching speed (typically 30ns)

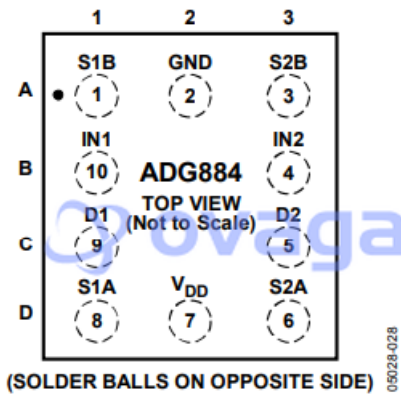
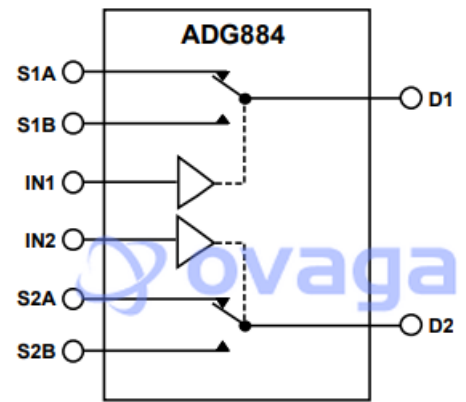


Figure 3. WLCSP Pin Configuration



NOTES:
1. SWITCHES SHOWN FOR A LOGIC 1 INPUT.

Figure 1.

Related Products



[ADAU1452WBCPZ](#)
Analog Devices, Inc
LFCSP72



[AD1851RZ](#)
Analog Devices, Inc
SOP-16



[AD73322ARZ](#)
Analog Devices, Inc
SOP-28



[AD1836AS](#)
Analog Devices, Inc
QFP44



[AD6521ACA](#)
Analog Devices, Inc
QFN



[ADAU1445YSVZ-3A](#)
Analog Devices, Inc
LQFP-100



[AD1845JST](#)
Analog Devices, Inc
QFP100



[ADAU1401YSTZ-RL](#)
Analog Devices, Inc
LQFP-48