

Processor Supervisor 4.62V 1 Active High/Active Low/Open Drain Automotive 8-Pin SOIC N Tube

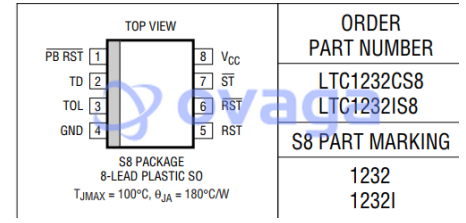
Manufacturers Analog Devices, Inc

Package/Case SOP8

Product Type Supervisors

RoHS Pb-free Halide free

Lifecycle



Images are for reference only

Please submit RFQ for LTC1232CS8#PBF or [Email to us: sales@ovaga.com](mailto:sales@ovaga.com) We will contact you in 12 hours.

[RFQ](#)

General Description

The LTC1232 provides power supply monitoring, watchdog timing and external reset for microprocessor systems. A precise internal voltage reference and comparator circuit monitor the power supply line. When an out-of-tolerance condition occurs, the reset outputs are forced to active states. The RST output is guaranteed to remain logic low even with VCC as low as 1V.

The LTC1232 has an internal watchdog timer which forces the reset outputs to active states when the Strobe input is not forced low prior to a preset time-out period. The watchdog timing can be set to operate on time-out periods of typically 150ms, 600ms or 1.2 seconds.

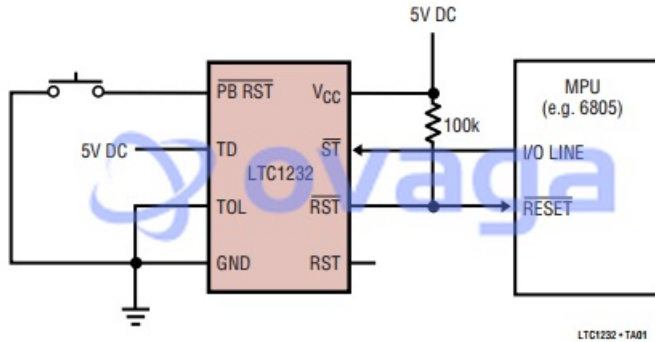
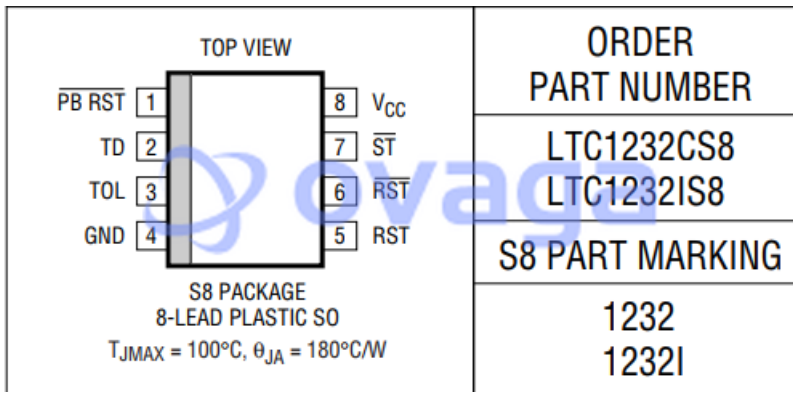
The LTC1232 performs push-button reset control. The LTC1232 debounces the push-button input and guarantees an active reset pulse width of 250ms minimum.

Features

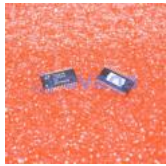
- Guaranteed Reset Assertion at >
- 8-Pin SOIC Plastic Package
- 2.0mA Maximum Supply Current
- 4.62V/4.37V Precision Voltage Monitor
- Power OK/Reset Time Delay: 600ms
- Minimum External Component Count
- Superior Upgrade for DS1232

Application

- Critical μ P Power Monitoring
- Intelligent Instruments
- Computers and Controllers
- Automotive Systems



Related Products



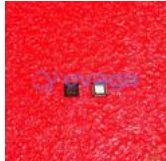
[LT3763EFE](#)

Analog Devices, Inc
TSSOP28



[LT1038CK](#)

Analog Devices, Inc
TO-3



[LTC4417IUF](#)

Analog Devices, Inc
QFN-24



[LTC3440EMS](#)

Analog Devices, Inc
MSOP10



[LTC1966CMS8#PBF](#)

Analog Devices, Inc
MSOP-8P



[LTC2990IMS#PBF](#)

Analog Devices, Inc
10MSOP



[LTM8045EY#PBF](#)

Analog Devices, Inc
BGA40



[LT4295IUFD#PBF](#)

Analog Devices, Inc
28-WFQFN