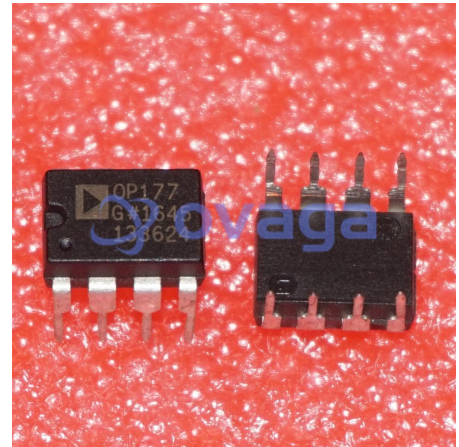


Force/Pressure transducer; Compensated; Pressure Range: 0 to 30 psi

Manufacturers	<a href="#">Analog Devices, Inc</a>
Package/Case	DIP-8
Product Type	Sensors, Transducers
RoHS	
Lifecycle	



Images are for reference only

Please submit RFQ for OP177GP or [Email to us: sales@ovaga.com](mailto:sales@ovaga.com) We will contact you in 12 hours.

[RFQ](#)

## General Description

OP177GP is a precision operational amplifier (op-amp) manufactured by Analog Devices.

### Features

- High accuracy
- Low offset voltage and drift
- Low input bias current
- Low noise
- Wide supply voltage range ( $\pm 4.5V$  to  $\pm 18V$ )
- High open-loop gain (typically 10,000)
- Unity-gain stable

### Application

- Precision instrumentation
- High-accuracy signal conditioning
- Data acquisition systems
- Medical equipment
- Audio applications



## PIN CONFIGURATION

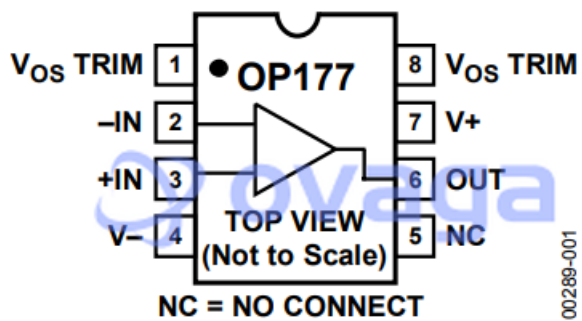


Figure 1. 8-Lead PDIP (P-Suffix),  
8-Lead SOIC (S-Suffix)

