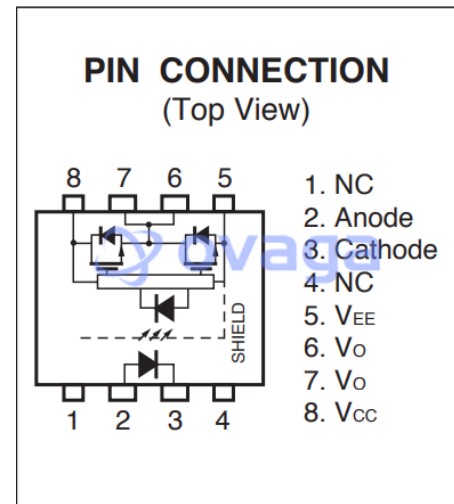


High Speed Optocouplers 15-30Volts 10mA -40C +110C High CMR

Manufacturers	<a href="#">Renesas Technology Corp</a>
Package/Case	DIP-8
Product Type	Optocouplers / Photocouplers
RoHS	Rohs
Lifecycle	



Images are for reference only

Please submit RFQ for PS9505L3-AX or [Email to us: sales@ovaga.com](mailto:sales@ovaga.com) We will contact you in 12 hours.

[RFQ](#)

## General Description

### Features

Long creepage distance (8 mm MIN.: PS9505L1, PS9505L2)

Large peak output current (2.5 A MAX., 2.0 A MIN.)

High speed switching (t

PLH

UVLO (Under Voltage Lock Out) protection with hysteresis

High common mode transient immunity (CM

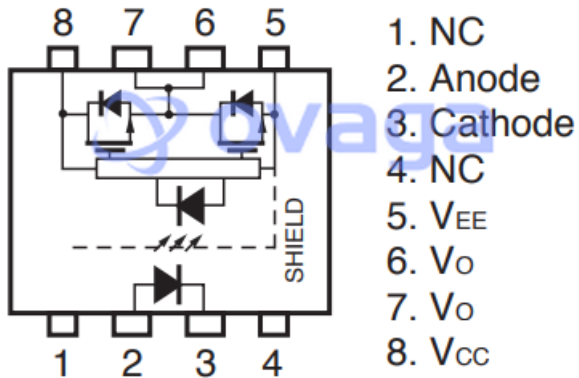
H

Embossed tape product PS9505L2-E3: 1 000 pcs/reel PS9505L3-E3: 1 000 pcs/reel

Pb-Free product

Safety standards UL approved: No. E72422 CSA approved: No. CA 101391 (CA5A, CAN/CSA-C22.2 60065, 60950) SEMKO approved: No. 1115598 DIN EN60747-5-2 (VDE0884 Part2) approved: No. 40024069 (Option)

## PIN CONNECTION (Top View)



### Related Products



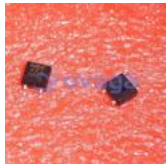
#### [PS9821-2-F3-AX](#)

Renesas Technology Corp  
SOP8



#### [PS2505L-4-A](#)

Renesas Technology Corp  
SSOP-16



#### [PS7241E-1A-F3-A](#)

Renesas Technology Corp  
SOP4



#### [PS2505L-1-F3-A](#)

Renesas Technology Corp  
SOP4



#### [PS2505L-1-A](#)

Renesas Technology Corp  
SOP4



#### [PS2805C-4-F3-A](#)

Renesas Technology Corp  
SSOP-16



#### [PS2801C-1-A](#)

Renesas Technology Corp  
SSOP-4



#### [PS2501L-1-A](#)

Renesas Technology Corp  
DIP-4