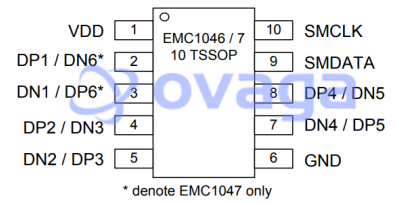


## Board Mount Temperature Sensors MULT TEMP SENSR BETA COMP

Manufacturers	<a href="#">Microchip Technology, Inc</a>
Package/Case	MSOP-10
Product Type	Temperature Sensors
RoHS	Rohs
Lifecycle	



Images are for reference only

Please submit RFQ for EMC1047-2-AIZL-TR or [Email to us: sales@ovaga.com](mailto:sales@ovaga.com) We will contact you in 12 hours.

[RFQ](#)

## General Description

The EMC1046/EMC1047 are high accuracy, low cost, SMBus / I2C temperature sensors. Advanced features such as Resistance Error Correction (REC), Beta Compensation (to CPU diodes requiring the BJT or transistor model) and automatic diode type detection combine to provide a robust solution for complex environmental monitoring applications.

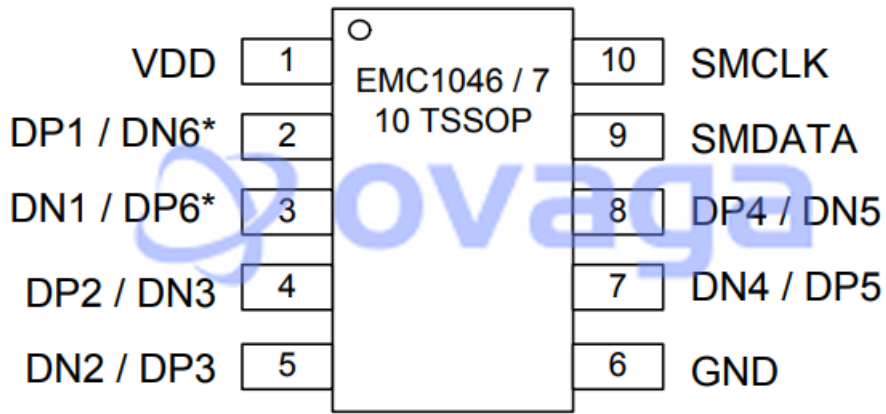
Each device provides  $\pm 1^\circ$  accuracy for external diode temperatures and  $\pm 2^\circ\text{C}$  accuracy for the internal diode temperature. The EMC1046/EMC1047 monitors up to seven temperature channels (up to six external and one internal).

## Features

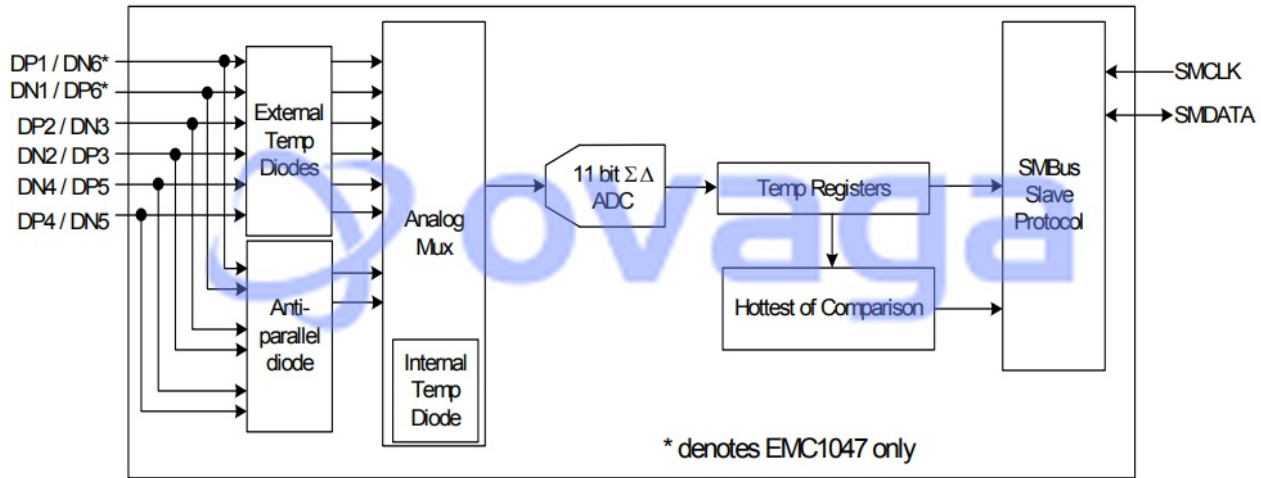
- Supports diodes requiring the BJT or transistor model
- Resistance Error Correction (up to 100 Ohms)
- Up to six External Temperature Monitors
- 0.125°C Resolution
- Supports up to 2.2nF filter capacitor
- Anti-parallel diodes for extra diode support and compact design
- Internal Temperature Monitor
- 3.3V Supply Voltage
- Available in 10 pin TSSOP RoHS Compliant package

## Application

- Notebook Computers
- Desktop Computers
- Industrial
- Embedded applications



\* denote EMC1047 only



\* denotes EMC1047 only

## Related Products



### [EMC1412-2-ACZL-TR](#)

Microchip Technology, Inc  
MSOP-8

### [EMC1424-1-AIZL-TR](#)

Microchip Technology, Inc  
MSOP-10



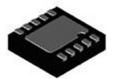
### [EMC1423-1-AIZL-TR](#)

Microchip Technology, Inc  
MSOP-10



### [EMC1422-1-ACZL-TR](#)

Microchip Technology, Inc  
MSOP-8



### [EMC1413-A-AIA-TR](#)

Microchip Technology, Inc  
VDFN-10



### [EMC1413-A-AIZL-TR](#)

Microchip Technology, Inc  
MSOP-10



### [EMC1412-A-ACZL-TR](#)

Microchip Technology, Inc  
MSOP-8



### [EMC1412-1-ACZL-TR](#)

Microchip Technology, Inc  
MSOP-8