

2 Mb (256K x 8, Chip Erase) FLASH MEMORY

| | |
|---------------|---|
| Manufacturers | STMicroelectronics, Inc |
| Package/Case | TSSOP32 |
| Product Type | Integrated Circuits (ICs) |
| RoHS | |
| Lifecycle | |



Images are for reference only

Please submit RFQ for M28F201-120N1 or [Email to us: sales@ovaga.com](mailto:sales@ovaga.com) We will contact you in 12 hours.

[RFQ](#)

General Description

M28F201-120N1 is a specific model of Flash Memory Integrated Circuit (IC) produced by STMicroelectronics. Here are some of its features:

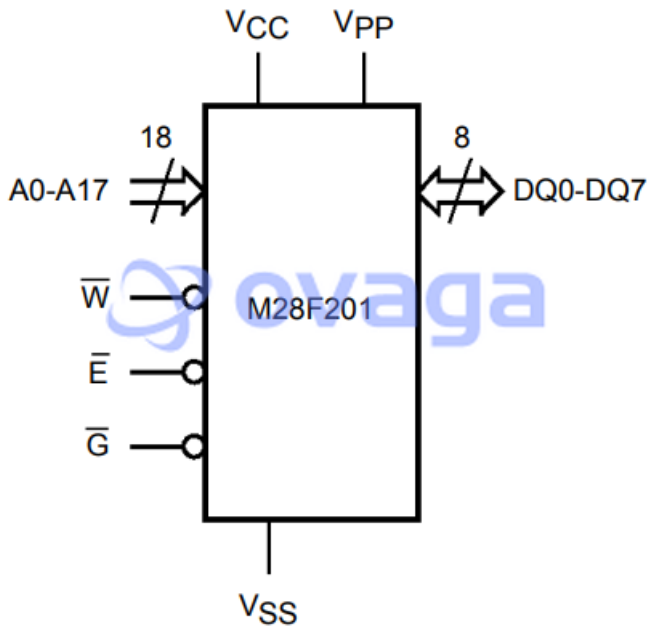
Features

- It has a capacity of 2 Megabits (256 kilobytes) of memory.
- It operates at a voltage of 5V.
- It has a maximum access time of 120 nanoseconds.
- It uses a NOR flash memory architecture.
- It comes in a 32-pin DIP (dual in-line package) or a 32-pin PLCC (plastic leaded chip carrier) package.

Application

- Embedded systems, where it can store firmware, boot code, or other program code that needs to be executed quickly.
- Set-top boxes, where it can store program data, user preferences, or other settings.
- Printers, where it can store fonts, graphics, or other data.
- Industrial control systems, where it can store configuration data, calibration data, or other critical information.





AI00637C

Related Products



[M28W640EST70ZA6](#)

STMicroelectronics, Inc
BGA



[M29W128GL70N6](#)

STMicroelectronics, Inc
TSOP-56



[M24C16-WMN3TP](#)

STMicroelectronics, Inc
SOP-8



[M27C1001-10FIL](#)

STMicroelectronics, Inc
DIP-32



[M27C512-12FIL](#)

STMicroelectronics, Inc
DIP-28



[M25PX64-VME6TG](#)

STMicroelectronics, Inc
MLP8



[M22100BE](#)

STMicroelectronics, Inc
DIP-16



[M29W800DT](#)

STMicroelectronics, Inc
FBGA48