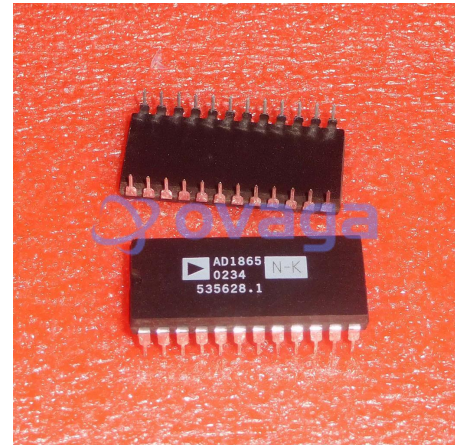


DAC 2-CH R-2R 18-bit 24-Pin PDIP Tube

Manufacturers	Analog Devices, Inc
Package/Case	PDIP-24
Product Type	Integrated Circuits (ICs)
RoHS	
Lifecycle	



Images are for reference only

Please submit RFQ for AD1865N-K or [Email to us: sales@ovaga.com](mailto:sales@ovaga.com) We will contact you in 12 hours.

[RFQ](#)

General Description

AD1865N-K is a high-performance, 18-bit digital-to-analog converter (DAC) integrated circuit (IC) manufactured by Analog Devices Inc. It is commonly used in audio applications where high-resolution analog output is required.

Features

18-bit resolution: It can convert digital data to analog signals with a resolution of up to 18 bits, providing a high level of accuracy.

Low distortion and noise: It offers low total harmonic distortion (THD) and noise levels, resulting in high-quality audio output.

Wide operating voltage range: It operates over a wide voltage range, typically from 4.75V to 5.25V, making it compatible with a variety of power supply configurations.

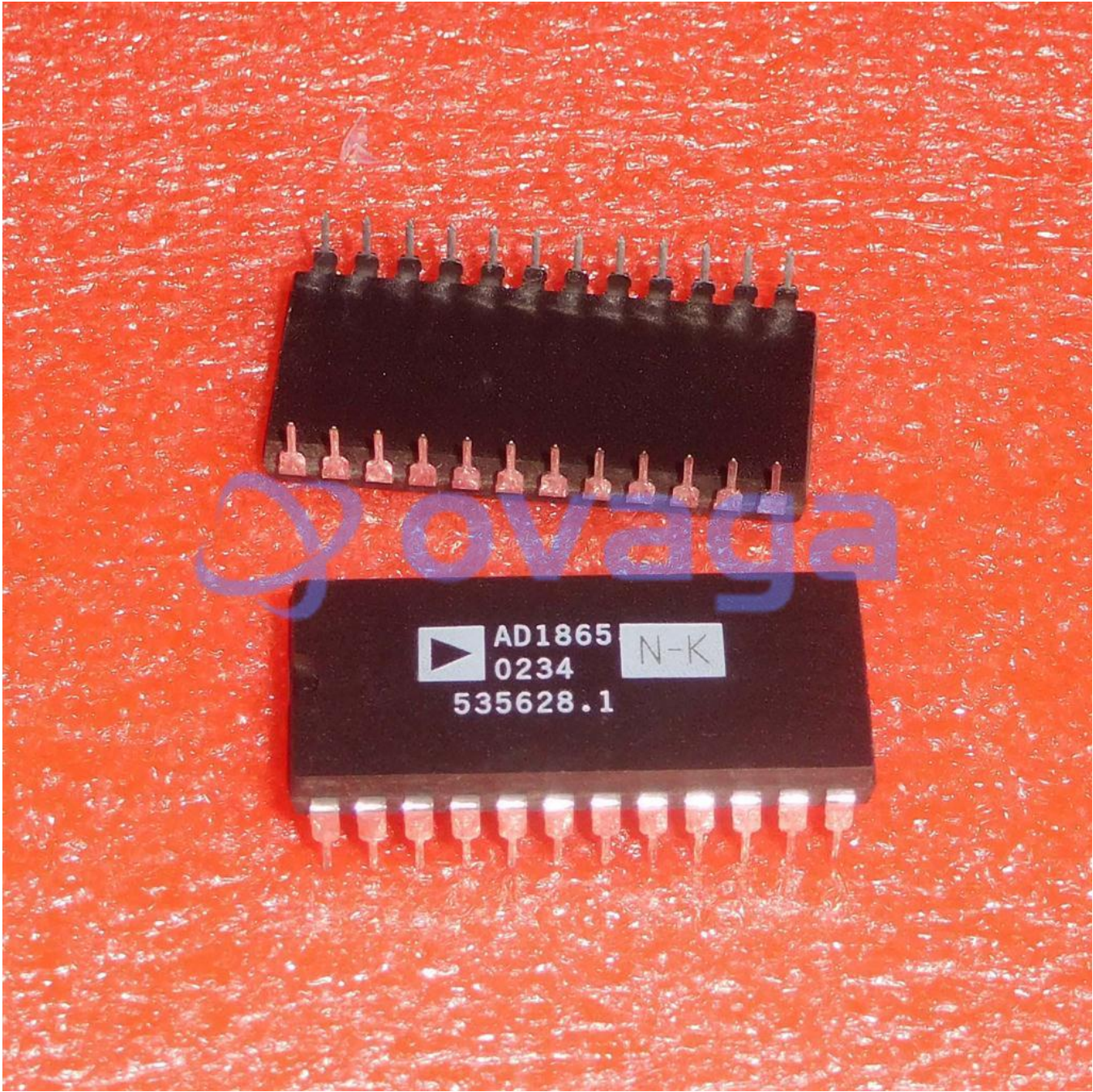
Fast settling time: It has a fast settling time, which enables rapid response to changes in input data.

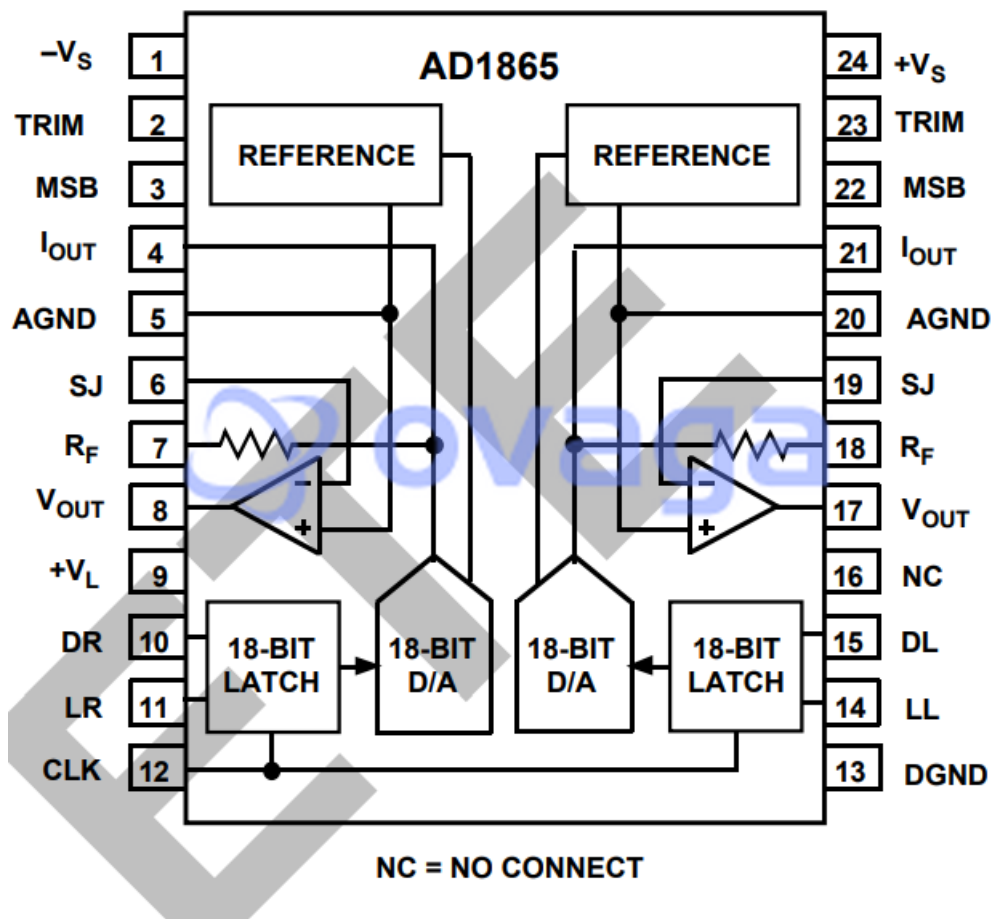
Application

Audio equipment: It is commonly used in high-quality audio systems, such as digital audio workstations (DAWs), digital-to-analog converters (DACs), and audio processors, to provide accurate and high-resolution analog audio output.

Multimedia systems: It can be used in multimedia applications, including DVD players, gaming consoles, and home theater systems, to convert digital audio data to analog signals for audio playback.

Instrumentation and measurement: It can be used in instrumentation and measurement equipment where precise analog output is required, such as data acquisition systems and scientific instruments.





Related Products



[ADUM1300](#)

Analog Devices, Inc



[ADG5409BCPZ](#)

Analog Devices, Inc
LFCSP-16



[ADR391AUJZ](#)

Analog Devices, Inc
SOT23-5



[ADM7171ACPZ](#)

Analog Devices, Inc
LFCSP8



[ADL5310ACPZ](#)

Analog Devices, Inc
LFCSP-24



[ADG3308BCPZ](#)

Analog Devices, Inc
20LFCS



[ADCMP600BKSZ](#)

Analog Devices, Inc
SC-70-5



[ADCMP601BKSZ](#)

Analog Devices, Inc
SC70