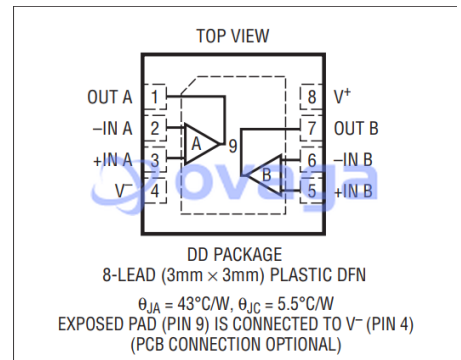


LINEAR TECHNOLOGY LT6020IDD#PBF Operational Amplifier, Dual, 2 Amplifier, 400kHz, 5V/ μ s, 3V to 30V, DFN, 8Pins

Manufacturers	Analog Devices, Inc
Package/Case	8-WFDFN
Product Type	Amplifier ICs
RoHS	Green
Lifecycle	



Images are for reference only

Please submit RFQ for LT6020IDD#PBF or [Email to us: sales@ovaga.com](mailto:sales@ovaga.com) We will contact you in 12 hours.

[RFQ](#)

General Description

The LT6020 is a low power, enhanced slew rate, precision operational amplifier. The proprietary circuit topology of this amplifier gives excellent slew rate at low quiescent power dissipation without compromising precision or settling time. In addition, unique input stage circuitry allows the input impedance to remain high during input voltage steps as large as 5V. The combination of precision specs along with fast settling makes this part ideal for MUX applications.

The low quiescent current of the LT6020 along with its ability to operate on supplies as low as 3V make it useful in portable systems. The LT6020-1 features a shutdown mode which reduces the typical supply current to 1.4 μ A.

The LT6020 is available in the small 8-lead DFN and 8-lead MSOP packages. The LT6020-1 is available in a 10-lead DFN package.

Features

Excellent Slew Rate to Power Ratio

Slew Rate: 5V/ μ s

Maximum Supply Current: 100 μ A/Amplifier

Maximum Offset Voltage: 30 μ V

Maximum Offset Voltage Drift: 0.5 μ V/ $^{\circ}$ C

High Dynamic Input Impedance

Fast Recovery from Shutdown

Maximum Input Bias Current: 3nA

No Output Phase Inversion

Gain Bandwidth Product: 400kHz

Wide Specified Supply Range: 3V to 30V

Operating Temperature Range: -40° C to 125° C

DFN and MS8 Packages

Rail-to-Rail Outputs

Application

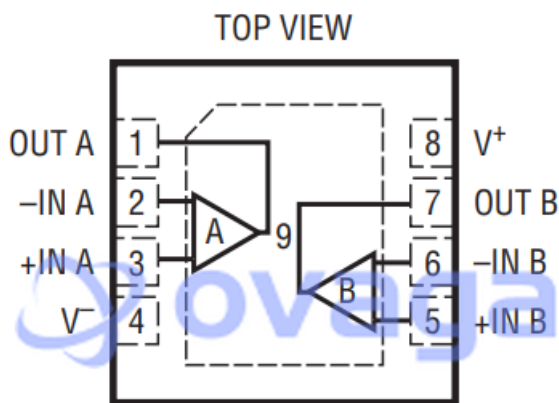
Precision Signal Processing

18-Bit DAC Amplifier

Multiplexed ADC Applications

Low Power Portable Systems

Low Power Wireless Sensor Networks



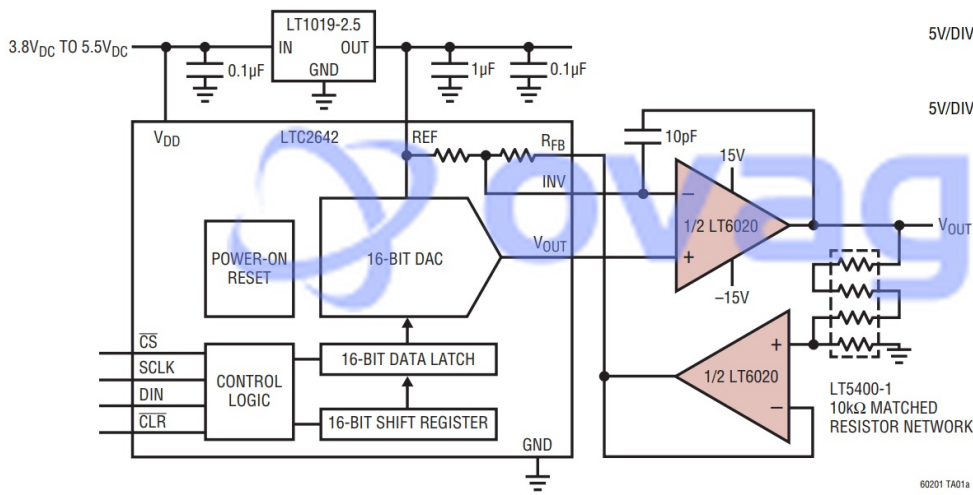
DD PACKAGE

8-LEAD (3mm × 3mm) PLASTIC DFN

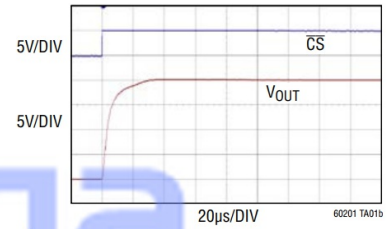
$\theta_{JA} = 43^{\circ}$ C/W, $\theta_{JC} = 5.5^{\circ}$ C/W

EXPOSED PAD (PIN 9) IS CONNECTED TO V⁻ (PIN 4)
(PCB CONNECTION OPTIONAL)

16-Bit DAC with $\pm 10V$ Output Swing



20V Output Step Response



60201 TA01a

Related Products



[LTC1151CSW#PBF](#)

Analog Devices, Inc
SOIC-16



[LT1498CS8](#)

Analog Devices, Inc
SOP-8



[LTC2053CMS8](#)

Analog Devices, Inc
MSOP8



[LTC1150CN8](#)

Analog Devices, Inc
DIP8



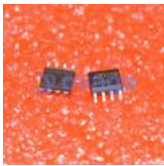
[LT1491ACS](#)

Analog Devices, Inc
SOP14



[LT6105IMS8](#)

Analog Devices, Inc
MSOP-8



[LTC1150CS8](#)

Analog Devices, Inc
SOP8



[LT1013CN8](#)

Analog Devices, Inc
DIP-8