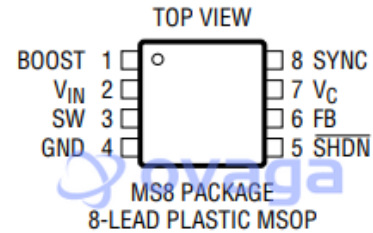


IC REG BUCK 2.5V 1.5A 8MSOP

Manufacturers	<a href="#">Analog Devices, Inc</a>
Package/Case	MSOP-8
Product Type	Power Management ICs
RoHS	Pb-free Halide free
Lifecycle	



$T_{JMAX} = 125^{\circ}C$ ,  $\theta_{JA} = 110^{\circ}C/W$

GROUND PIN CONNECTED TO LARGE COPPER AREA

Images are for reference only

Please submit RFQ for LT1767EMS8-2.5#PBF or [Email to us: sales@ovaga.com](mailto:sales@ovaga.com) We will contact you in 12 hours.

[RFQ](#)

## General Description

The LT1767 is a 1.25MHz monolithic buck switching regulator. A high efficiency 1.5A, 0.22 $\Omega$  switch is included on the die together with all the control circuitry required to complete a high frequency, current mode switching regulator. Current mode control provides fast transient response and excellent loop stability.

New design techniques achieve high efficiency at high switching frequencies over a wide operating range. A low dropout internal regulator maintains consistent performance over a wide range of inputs from 24V systems to Li-Ion batteries. An operating supply current of 1mA improves efficiency, especially at lower output currents. Shutdown reduces quiescent current to 6 $\mu$ A. Maximum switch current remains constant at all duty cycles. Synchronization allows an external logic level signal to increase the internal oscillator from 1.5MHz to 2MHz.

The LT1767 is available in an 8-pin MSOP fused lead-frame package and a low thermal resistance exposed pad package. Full cycle-by-cycle current limit and thermal shutdown are provided. High frequency operation allows the reduction of input and output filtering components and permits the use of chip inductors.

## Features

1.5A Switch in a Small MSOP Package

Constant 1.25MHz Switching Frequency

High Power Exposed Pad (MS8E) Package

Wide Operating Voltage Range: 3V to 25V

High Efficiency 0.22Ω Switch

1.2V Feedback Reference Voltage

Fixed Output Voltages of 1.8V, 2.5V, 3.3V, 5V

2% Overall Output Tolerance

Uses Low Profile Surface Mount Components

Low Shutdown Current: 6μA

Synchronizable to 2MHz

Current Mode Loop Control

Constant Maximum Switch Current Rating at All Duty Cycles\*

## Application

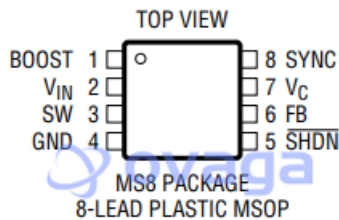
DSL Modems

Portable Computers

Wall Adapters

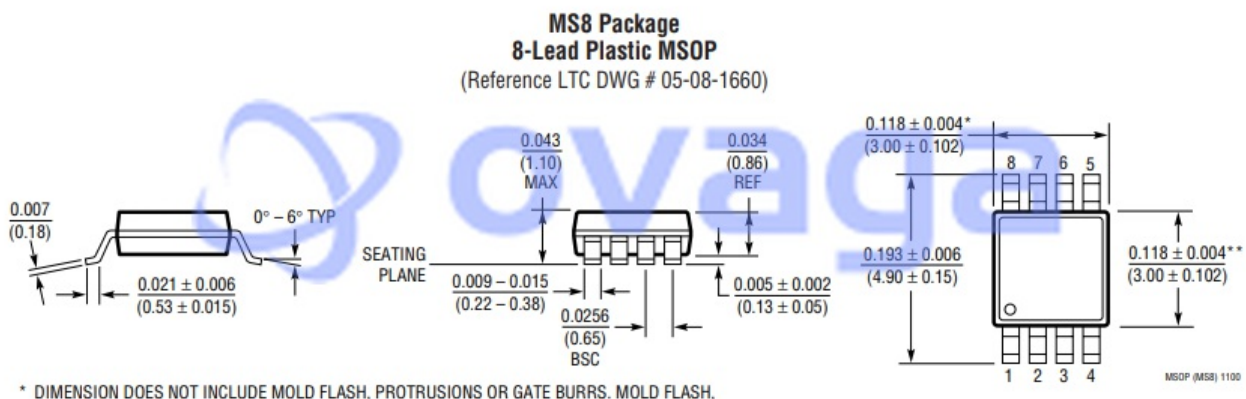
Battery-Powered Systems

Distributed Power

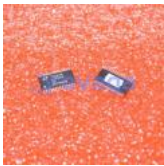


$T_{JMAX} = 125^{\circ}\text{C}$ ,  $\theta_{JA} = 110^{\circ}\text{C/W}$

GROUND PIN CONNECTED  
TO LARGE COPPER AREA

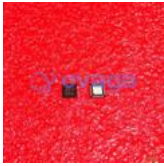


## Related Products



[LT3763EFE](#)

Analog Devices, Inc  
TSSOP28



[LTC4417IUF](#)

Analog Devices, Inc  
QFN-24



[LTC1966CMS8#PBF](#)

Analog Devices, Inc  
MSOP-8P



[LTM8045EX#PBF](#)

Analog Devices, Inc  
BGA40



[LT1038CK](#)

Analog Devices, Inc  
TO-3



[LTC3440EMS](#)

Analog Devices, Inc  
MSOP10



[LTC2990IMS#PBF](#)

Analog Devices, Inc  
10MSOP



[LT4295IUFD#PBF](#)

Analog Devices, Inc  
28-WFQFN