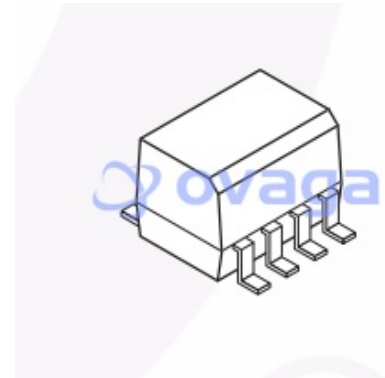


8-Pin SOIC Dual-Channel Low Current High Gain Split Darlington Output Optocoupler;
 Package: SOIC-W; No of Pins: 8; Container: Tape & Reel, Logic Output Optocouplers Dual
 Ch Optocoupler LCHG SplitDarlington

Manufacturers	ON Semiconductor, LLC
Package/Case	SOIC-8
Product Type	Logic Output Optocouplers
RoHS	Green
Lifecycle	



Images are for reference only

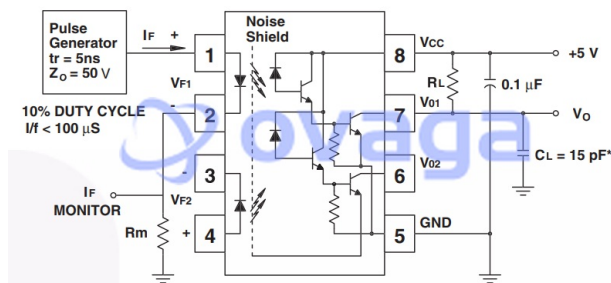
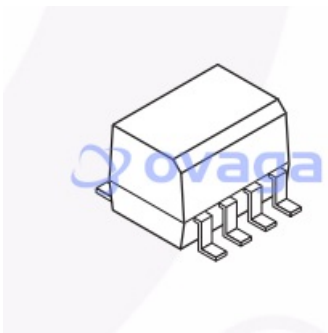
Please submit RFQ for HCPL0731R2 or [Email to us: sales@ovaga.com](mailto:sales@ovaga.com) We will contact you in 12 hours.

RFQ

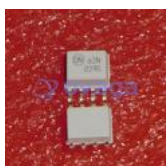
General Description

Application

ONSEMI



Related Products



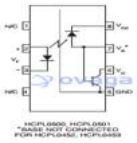
[HCPL062NR2](#)

ON Semiconductor, LLC
 SOIC-8



[HCPL0500V](#)

ON Semiconductor, LLC
 SOP8



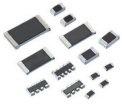
[HCPL0501R2](#)

ON Semiconductor, LLC
SOIC-8



[HCPL0600R2](#)

ON Semiconductor, LLC
SOIC-8



[HCPL4503SM](#)

ON Semiconductor, LLC
SMD-8



[HCPL0531](#)

ON Semiconductor, LLC
SOIC-8



[HCPL0601R2](#)

ON Semiconductor, LLC
SOIC-8



[HCPL0500](#)

ON Semiconductor, LLC
SOIC-8