

CMOS 8-Bit Buffered Multiplying DAC; Package: CHIP CAR; No of Pins: 20; Temperature Range: Commercial

Manufacturers	Analog Devices, Inc
Package/Case	20-LCC (J-Lead)
Product Type	Data Conversion ICs
RoHS	Pb-free Halide free
Lifecycle	



Images are for reference only

Please submit RFQ for AD7524KPZ or [Email to us: sales@ovaga.com](mailto:sales@ovaga.com) We will contact you in 12 hours.

[RFQ](#)

General Description

The AD7524 is a low cost, 8-bit monolithic CMOS DAC designed for direct interface to most microprocessors.

APPLICATIONS Microprocessor Controlled Gain Circuits Microprocessor Controlled Attenuator Circuits Microprocessor Controlled Function Generation Precision AGC Circuits Bus Structured Instruments

Features

Microprocessor compatible (6800, 8085, Z80, etc.)

TTL/CMOS compatible inputs

On-chip data latches

Endpoint linearity

Low power consumption

Monotonicity guaranteed (full temperature range)

Latch free (no protection Schottky required)

AD7524-EP supports defense and aerospace applications (AQEC standard)

[Download\(pdf\)](#)

Military temperature range (-55°C to $+125^{\circ}\text{C}$)

Controlled manufacturing baseline

One assembly/test site

One fabrication site

Enhanced product change notification

Qualification data available on request

V62/12659-01XB DSCC Drawing Number

Application

Microprocessor Controlled Gain Circuits

Microprocessor Controlled Attenuator Circuits

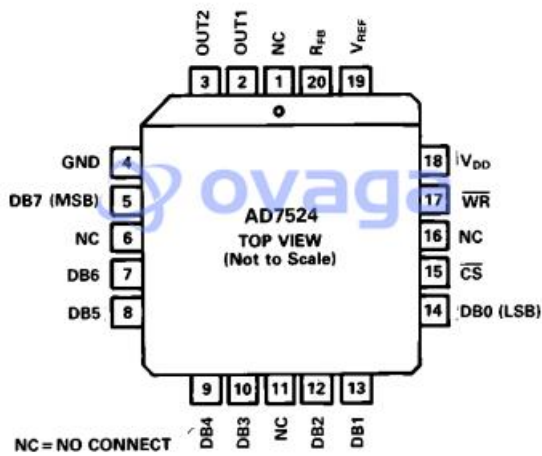
Microprocessor Controlled Function Generation

Precision AGC Circuits

Bus Structured Instruments



PLCC

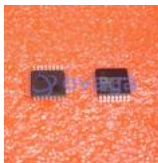


Related Products



[ADAS3022BCPZ](#)

Analog Devices, Inc
LFCSP-40



[AD7266BSUZ](#)

Analog Devices, Inc
TQPF-32



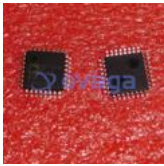
[AD574AJNZ](#)

Analog Devices, Inc
PDIP-28



[AD7401YRWZ](#)

Analog Devices, Inc
SOIC-16



[AD7938BSUZ](#)

Analog Devices, Inc

TQFP-32



[AD7192BRUZ-REEL](#)

Analog Devices, Inc

TSSOP-24



[AD7124-8BCPZ-RL7](#)

Analog Devices, Inc

LFCSP-32



[AD9680BCPZ-500](#)

Analog Devices, Inc

LFCSP-64