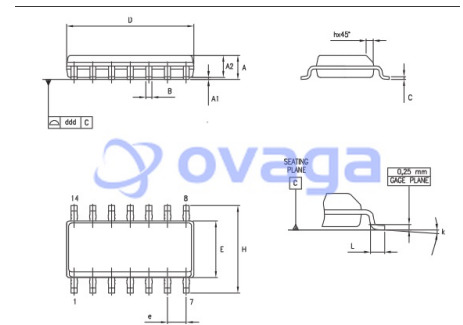


Operational Amplifier, 4 Amplifier, 1.3 MHz, 0.7 V/ μ s, 2.7V to 5.5V, SOIC, 14 Pins

Manufacturers	STMicroelectronics, Inc
Package/Case	SOIC-14
Product Type	Amplifier ICs
RoHS	Green
Lifecycle	



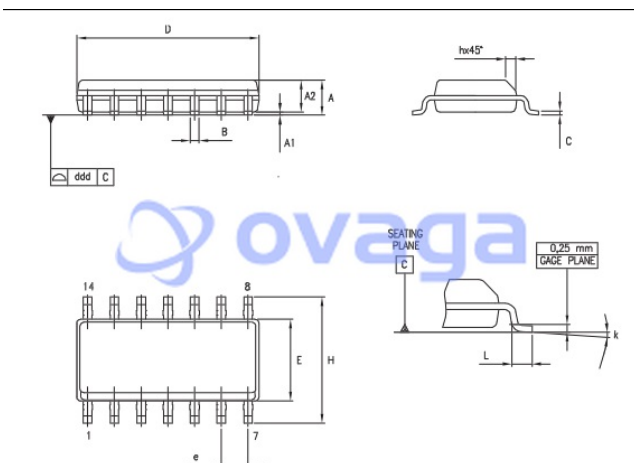
Images are for reference only

Please submit RFQ for LMV324LIDT or [Email to us: sales@ovaga.com](mailto:sales@ovaga.com) We will contact you in 12 hours.

RFQ

General Description

Ovaga has a large stock of LMV324LIDT Amplifier ICs from STMicroelectronics, Inc and we guarantee that they are original, brand new parts sourced directly from STMicroelectronics, Inc We can provide quality testing reports for LMV324LIDT upon your request. To obtain a quote, simply fill in the required quantity, contact name, and email address in the quick quote form on the right. Our sales representative will contact you within 12 hours.



Related Products



[LM2904YDT](#)

STMicroelectronics, Inc
SO-8



[LM358N](#)

STMicroelectronics, Inc
DIP-8



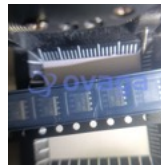
[LM358WDT](#)

STMicroelectronics, Inc
SOIC-8



[LM158D](#)

STMicroelectronics, Inc
SOP-8



[LM258ADT](#)

STMicroelectronics, Inc
SOP-8



[LM258N](#)

STMicroelectronics, Inc
DIP-8



[LM2902WDT](#)

STMicroelectronics, Inc
SOP14



[LMX358IQ2T](#)

STMicroelectronics, Inc
DFN-8 2x2