

Operational Amplifier, Zero Deadband, 2 Amplifier, 1.4 MHz, 1.4 V/ μ s, 5V to 40V, WSOIC, 16 Pins

Manufacturers	<u>ON Semiconductor, LLC</u>
Package/Case	SOIC-16
Product Type	Amplifier ICs
RoHS	Green
Lifecycle	



Images are for reference only

Please submit RFQ for TCA0372DWR2G or [Email to us: sales@ovaga.com](mailto:sales@ovaga.com) We will contact you in 12 hours.

[RFQ](#)

General Description

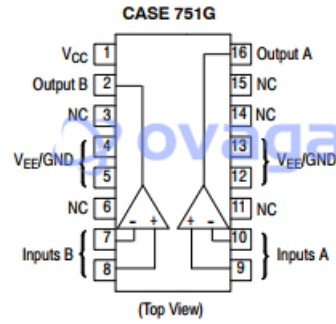
The TCA0372 is a monolithic circuit intended for use as a power op-amp in a wide range of applications, including servo amplifiers and power supplies. No deadband crossover distortion provides better performance for driving coils.

Features

- Output Current to 1.0 A
- Slew Rate of 1.3 V/ μ s
- Wide Bandwidth of 1.1 MHz
- Internal Thermal Shutdown
- Single or Split Supply Operation
- Excellent Gain and Phase Margins
- Common Mode Input Includes Ground
- Zero Deadband Crossover Distortion

Application

ONSEMI



Related Products



[TCA0372BDP1G](#)
ON Semiconductor, LLC
PDIP-8



[TCA0372DWG](#)
ON Semiconductor, LLC
SOIC-16



[TCA0372BDWR2G](#)
ON Semiconductor, LLC
SOIC-16



[TCA0372DP2](#)
ON Semiconductor, LLC
PDIP-16



[TCA0372DP1](#)
ON Semiconductor, LLC
PDIP-8



[TCA0372DP2G](#)
ON Semiconductor, LLC
PDIP-16



[TCA0372DP1G](#)
ON Semiconductor, LLC
PDIP-8



[TCA0372DM2ELG](#)
ON Semiconductor, LLC
SOEIAJ-16