

ECONOLINE: RSS & RSD - 1kVDC and 3KVDC Isolation- Internal SMD Construction- UL94V-0 Package Material- Toroidal Magnetics- Efficiency to 85%- SMD5, SMD8, SMD10 and SMD12 case styles

Manufacturers	<a href="#">AMD Xilinx, Inc</a>
Package/Case	PLCC-84
Product Type	Programmable Logic ICs
RoHS	
Lifecycle	



Images are for reference only

Please submit RFQ for XC3042A-7PC84I or [Email to us: sales@ovaga.com](mailto:sales@ovaga.com) We will contact you in 12 hours.

[RFQ](#)

## General Description

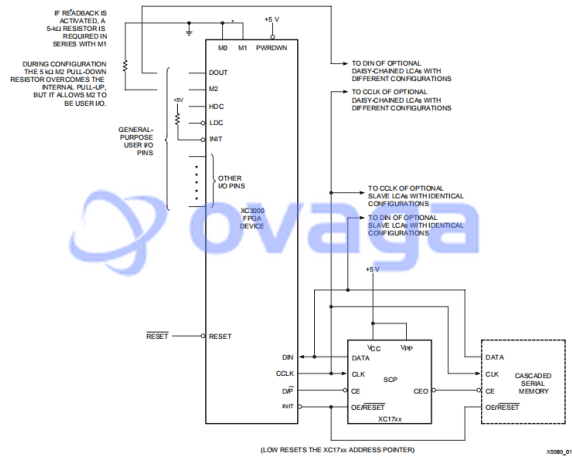
XC3042A-7PC84I is a type of Field-Programmable Gate Array (FPGA) integrated circuit (IC) manufactured by Xilinx Inc. It belongs to the XC3000A family of FPGAs and has a capacity of 2,000 usable gates and 42 input/output (I/O) pins.

## Features

- 2,000 usable gates
- 42 I/O pins
- Maximum operating frequency of 67 MHz
- 84-pin plastic leaded chip carrier (PLCC) package
- 5V supply voltage

## Application

- Digital signal processing
- Data communication
- Control systems
- Industrial automation
- Video and image processing
- Military and aerospace



## Related Products



### [XC18V01S020C](#)

AMD Xilinx, Inc  
SOP-20



### [XCF04SV0G20C](#)

AMD Xilinx, Inc  
TSSOP20



### [XC6SLX4-2CSG225C](#)

AMD Xilinx, Inc  
BGA-225



### [XCV50-6BG256C](#)

AMD Xilinx, Inc  
BGA256



### [XCF08PV0G48C](#)

AMD Xilinx, Inc  
TSOP-48



### [XC6SLX25-3FTG256C](#)

AMD Xilinx, Inc  
BGA-256



### [XC6SLX16-3CSG324C](#)

AMD Xilinx, Inc  
BGA-324



### [XCF32PVO48C](#)

AMD Xilinx, Inc  
TSOP48