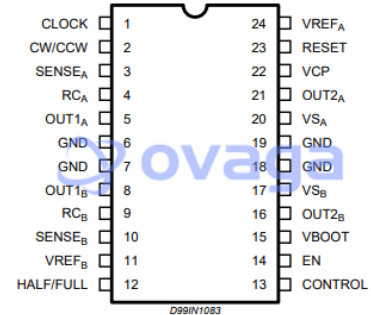


Bipolar Stepper Motor Driver 24-Pin SO T/R

Manufacturers	STMicroelectronics, Inc
Package/Case	SO-24
Product Type	Power Management ICs
RoHS	Rohs
Lifecycle	



Images are for reference only

Please submit RFQ for L6228DTR or [Email to us: sales@ovaga.com](mailto:sales@ovaga.com) We will contact you in 12 hours.

[RFQ](#)

General Description

Ovaga has a large stock of L6228DTR Power Management ICs from STMicroelectronics, Inc and we guarantee that they are original, brand new parts sourced directly from STMicroelectronics, Inc We can provide quality testing reports for L6228DTR upon your request. To obtain a quote, simply fill in the required quantity, contact name, and email address in the quick quote form on the right. Our sales representative will contact you within 12 hours.

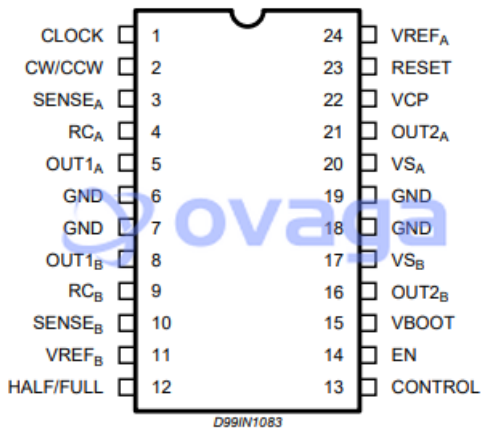
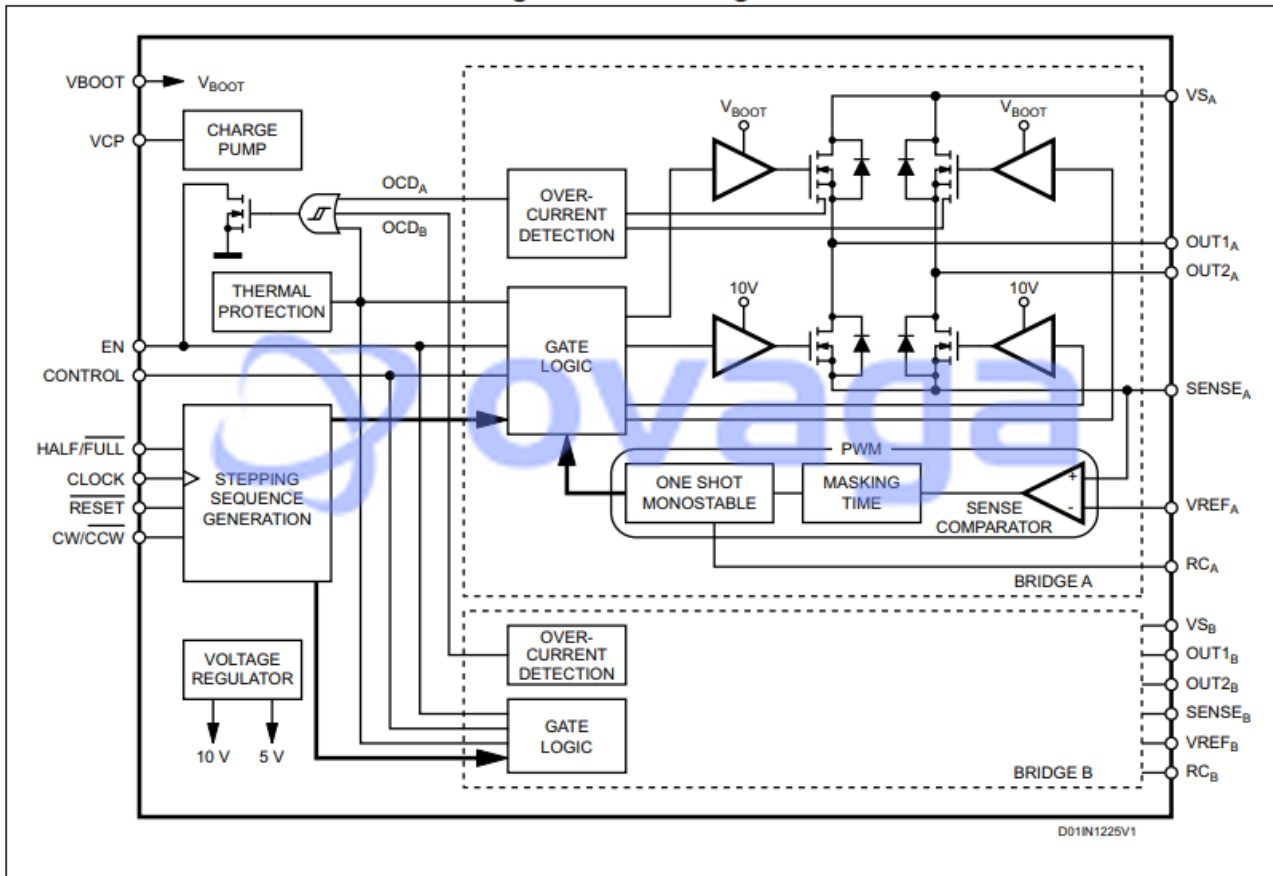
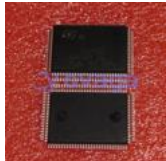


Figure 1. Block diagram

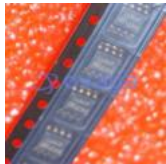


Related Products



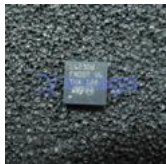
[E-L6452](#)

STMicroelectronics, Inc
PQFP100



[L6561D013TR](#)

STMicroelectronics, Inc
SOP-8



[L6230Q](#)

STMicroelectronics, Inc
VFQFPN-32



[L6228PD](#)

STMicroelectronics, Inc
SOP-36



[L6207D](#)

STMicroelectronics, Inc
SO-24



[L6258E](#)

STMicroelectronics, Inc
PowerSO-36



[L6219DSA](#)

STMicroelectronics, Inc
SO-24



[L6228D](#)

STMicroelectronics, Inc
SO-24