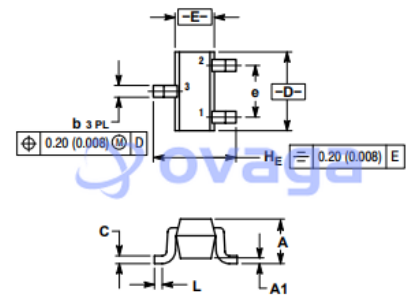


General Purpose Transistor NPN; Package: SC-75 (SOT-416) 3 LEAD; No of Pins: 3;  
 Container: Tape and Reel; Qty per Container: 3000, Bipolar Transistors 100mA 50V NPN

Manufacturers	<u>ON Semiconductor, LLC</u>
Package/Case	SC-75-3
Product Type	Transistors
RoHS	Rohs
Lifecycle	



Images are for reference only

Please submit RFQ for BC847BTT1G or [Email to us: sales@ovaga.com](mailto:sales@ovaga.com) We will contact you in 12 hours.

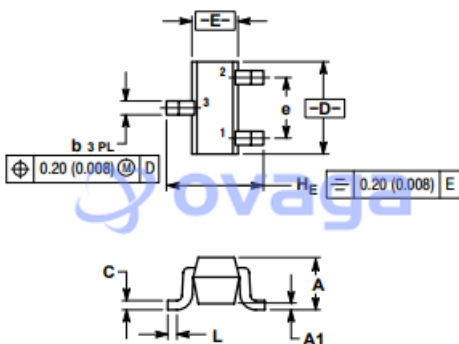
RFQ

## General Description

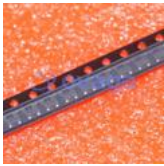
The NPN Bipolar Transistor is designed for general purpose amplifier applications. It is housed in the SC-75/SOT-416 package, which is designed for low power surface mount applications.

## Application

ONSEMI



## Related Products



[BCV71](#)

ON Semiconductor, LLC  
SOT-23



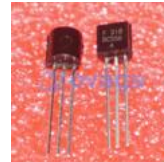
[BC817-40WT1G](#)

ON Semiconductor, LLC  
SC-70, SOT-323



[BCP53-16T1G](#)

ON Semiconductor, LLC  
SOT-223-4



[BC556ATA](#)

ON Semiconductor, LLC  
TO-92-3 Kinked Lead



[BC559CTA](#)

ON Semiconductor, LLC  
TO-92-3 Kinked Lead



[BC857BTT1G](#)

ON Semiconductor, LLC  
SC-75-3



[SBC857CDW1T1G](#)

ON Semiconductor, LLC  
SOT-363



[NSVBC114YPDXV65G](#)

ON Semiconductor, LLC  
SC-88