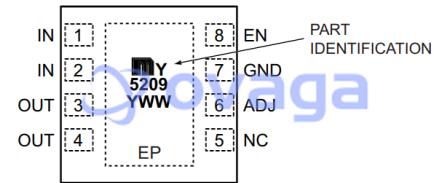


IC REG LDO ADJ 0.5A 8MLF

Manufacturers	Microchip Technology, Inc
Package/Case	DFN-8
Product Type	Power Management ICs
RoHS	
Lifecycle	



Images are for reference only

Please submit RFQ for MIC5209YML-TR or [Email to us: sales@ovaga.com](mailto:sales@ovaga.com) We will contact you in 12 hours.

[RFQ](#)

General Description

The MIC5209 is an efficient linear voltage regulator with very low dropout voltage, typically 10mV at light loads and less than 500mV at full load, with better than 1% output voltage accuracy.

Designed especially for hand-held, battery-powered devices, the MIC5209 features low ground current to help prolong battery life. An enable/shutdown pin on SOIC-8 and DDPACK versions can further improve battery life with near-zero shutdown current.

Key features include reversed-battery protection, current limiting, overtemperature shutdown, ultra-low-noise capability (SOIC-8 and DDPACK versions), and availability in thermally efficient packaging. The MIC5209 is available in adjustable or fixed output voltages.

Features

Output voltage range: 1.8V to 15V

Meets Intel® Slot 1 and Slot 2 requirements

Guaranteed 500mA output over the full operating temperature range

Low 500mV maximum dropout voltage at full load

Extremely tight load and line regulation

Thermally efficient surface-mount package

Low temperature coefficient

Current and thermal limiting

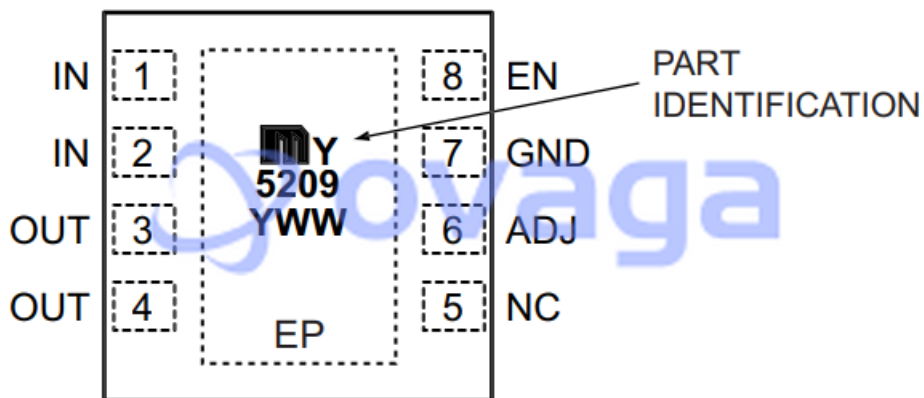
Reversed battery protection

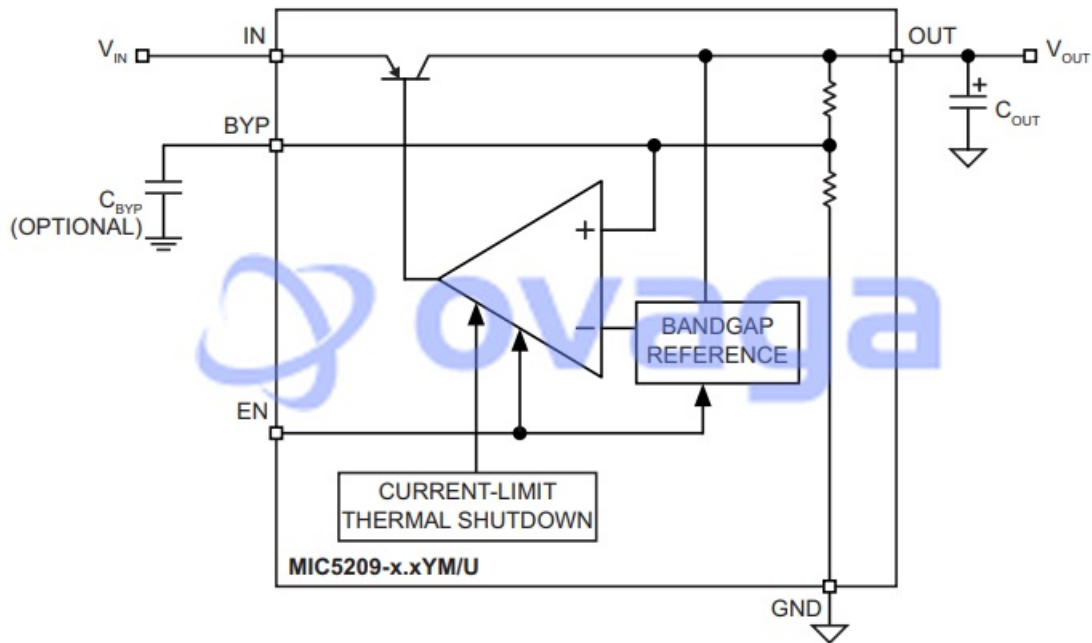
No-load stability

1% output accuracy

Ultra-low noise capability in SOIC-8 and DDPAK

Ultra-small 3mm x 3mm DFN package





Related Products



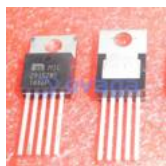
[MIC94325YMT-TR](#)
Microchip Technology, Inc
UDFN-6



[MIC2009A-1YM6-TR](#)
Microchip Technology, Inc
SOT-23-6



[MIC5841YWM-TR](#)
Microchip Technology, Inc
SOIC-18



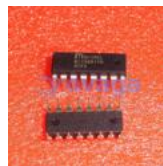
[MIC29152WT](#)
Microchip Technology, Inc
TO-220-5



[MIC4684YM](#)
Microchip Technology, Inc
SOIC-8



[MIC2090-1YM5-TR](#)
Microchip Technology, Inc
SOT-23-5



[MIC5891YN](#)
Microchip Technology, Inc
PDIP-16



[MIC5209YM](#)
Microchip Technology, Inc
SOIC-8