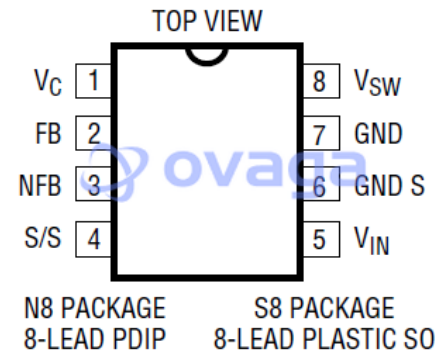


IC REG MULTI CONFIG ADJ 8SOIC

Manufacturers	Analog Devices, Inc
Package/Case	SOP8
Product Type	Power Management ICs
RoHS	Pb-free Halide free
Lifecycle	



Images are for reference only

Please submit RFQ for LT1373CS8#TRPBF or [Email to us: sales@ovaga.com](mailto:sales@ovaga.com) We will contact you in 12 hours.

[RFQ](#)

General Description

The LT1373 is a low supply current high frequency current mode switching regulator. It can be operated in all standard switching configurations including boost, buck, flyback, forward, inverting and “Cuk.” A 1.5A high efficiency switch is included on the die, along with all oscillator, control and protection circuitry. All functions of the LT1373 are integrated into 8-pin SO/PDIP packages.

Compared to the 500kHz LT1372, which draws 4mA of quiescent current, the LT1373 switches at 250kHz, typically consumes only 1mA and has higher efficiency. High frequency switching allows for small inductors to be used. All surface mount components consume less than 0.6 square inch of board space.

New design techniques increase flexibility and maintain ease of use. Switching is easily synchronized to an external logic level source. A logic low on the shutdown pin reduces supply current to 12μA. Unique error amplifier circuitry can regulate positive or negative output voltage while maintaining simple frequency compensation techniques. Nonlinear error amplifier transconductance reduces output overshoot on start-up or overload recovery. Oscillator frequency shifting protects external components during overload conditions.

Features

1mA IQ at 250kHz

Uses Small Inductors: 15 μ H

All Surface Mount Components

Only 0.6 Square Inch of Board Space

Low Minimum Supply Voltage: 2.7V

Constant Frequency Current Mode

Current Limited Power Switch: 1.5A

Regulates Positive or Negative Outputs

Shutdown Supply Current: 12 μ A Typ

Easy External Synchronization

8-Pin SO or PDIP Packages

Application

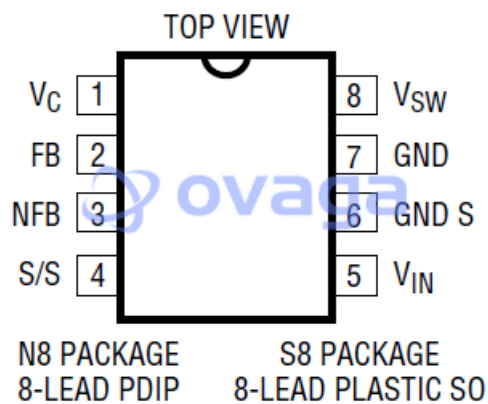
Boost Regulators

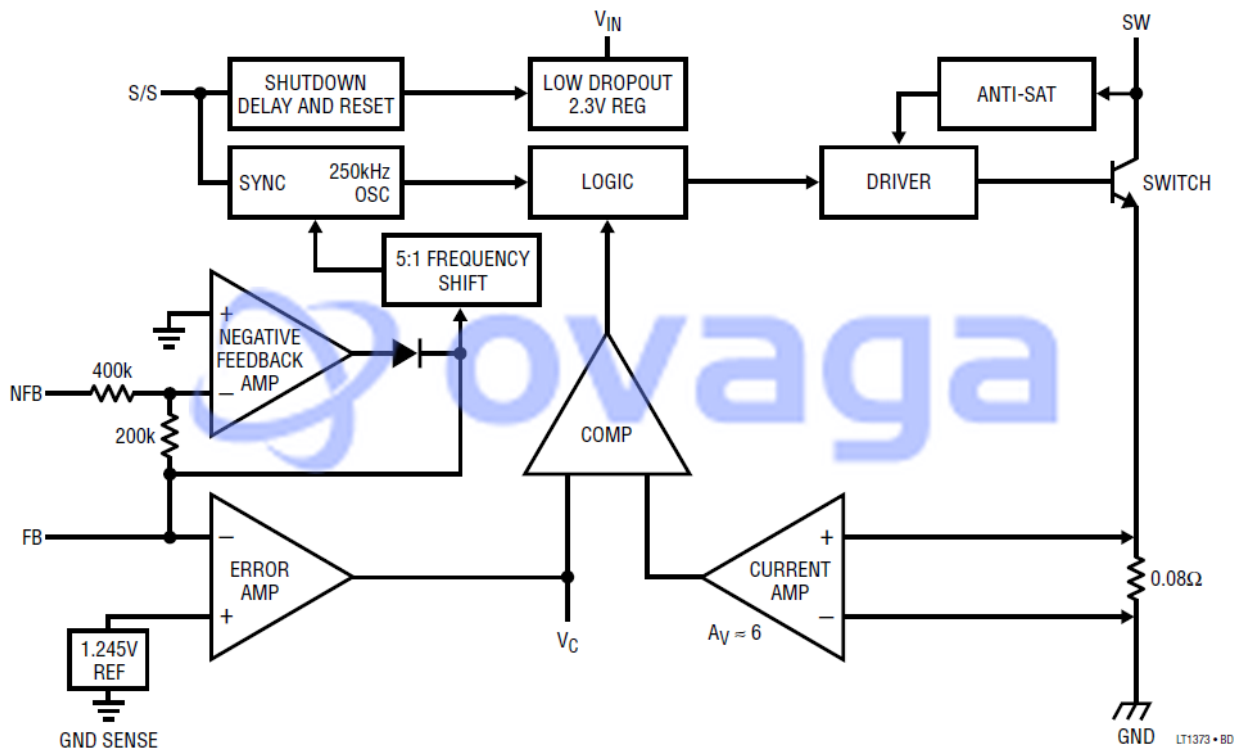
CCFL Backlight Driver

Laptop Computer Supplies

Multiple Output Flyback Supplies

Inverting Supplies





Related Products



[LT3763EFE](#)

Analog Devices, Inc
TSSOP28



[LTC4417IUF](#)

Analog Devices, Inc
QFN-24



[LTC1966CMS8#PBF](#)

Analog Devices, Inc
MSOP-8P



[LTM8045EY#PBF](#)

Analog Devices, Inc
BGA40



[LT1038CK](#)

Analog Devices, Inc
TO-3



[LTC3440EMS](#)

Analog Devices, Inc
MSOP10



[LTC2990IMS#PBF](#)

Analog Devices, Inc
10MSOP



[LT4295IUFD#PBF](#)

Analog Devices, Inc
28-WFQFN