

Operational Amplifier, Quad, 4 Amplifier, 4.25 MHz, 4 V/ μ s, $\pm 1.5V$ to $\pm 18V$, SOIC, 14 Pins

Manufacturers	Analog Devices, Inc
Package/Case	SOIC-14
Product Type	Amplifier ICs
RoHS	Rohs
Lifecycle	



Images are for reference only

Please submit RFQ for OP484FSZ or [Email to us: sales@ovaga.com](mailto:sales@ovaga.com) We will contact you in 12 hours.

[RFQ](#)

General Description

This amplifier is superb for single supply applications requiring both AC and precision DC performance. The combination of bandwidth, low noise and precision makes the OP484 useful in a wide variety of applications, including filters and instrumentation.

Other applications for this amplifier includes portable telecom equipment, power supply control and protection, and as amplifiers or buffers for transducers with wide output ranges. Sensors requiring a rail-to-rail input amplifier include Hall effect, piezo electric, and resistive transducers.

The ability to swing rail-to-rail at both the input and output enables designers to build multistage filters in single-supply systems and to maintain high signal-to-noise ratios.

Features

Single-Supply Operation

Wide Bandwidth: 4 MHz

Low Offset Voltage

Unity-Gain Stable

High Slew Rate: 4.0 V/ μ s typical

Low Noise

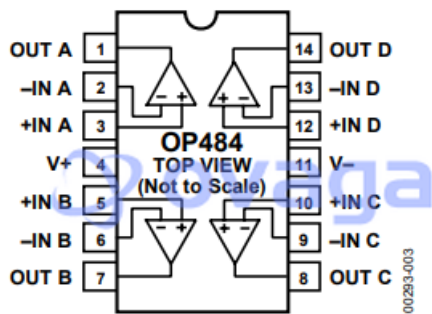
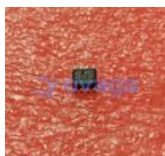


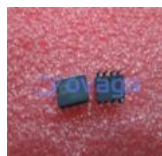
Figure 3. 14-Lead PDIP (P-Suffix)
14-Lead Narrow-Body SOIC (S-Suffix)

Related Products



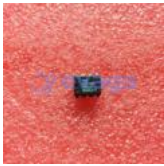
[OP213F](#)

Analog Devices, Inc
SMD/DIP-8/SOP-8



[OP42AZ](#)

Analog Devices, Inc
CDIP-8



[OP27GP](#)

Analog Devices, Inc
PDIP-8



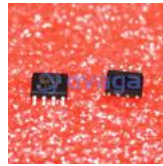
[OP462GSZ](#)

Analog Devices, Inc
SOIC-14



[OP467GPZ](#)

Analog Devices, Inc
PDIP-14



[OP37GS](#)

Analog Devices, Inc
SOIC-8



[OP2177ARM](#)

Analog Devices, Inc
MSOP8



[OP400GPZ](#)

Analog Devices, Inc
PDIP-14